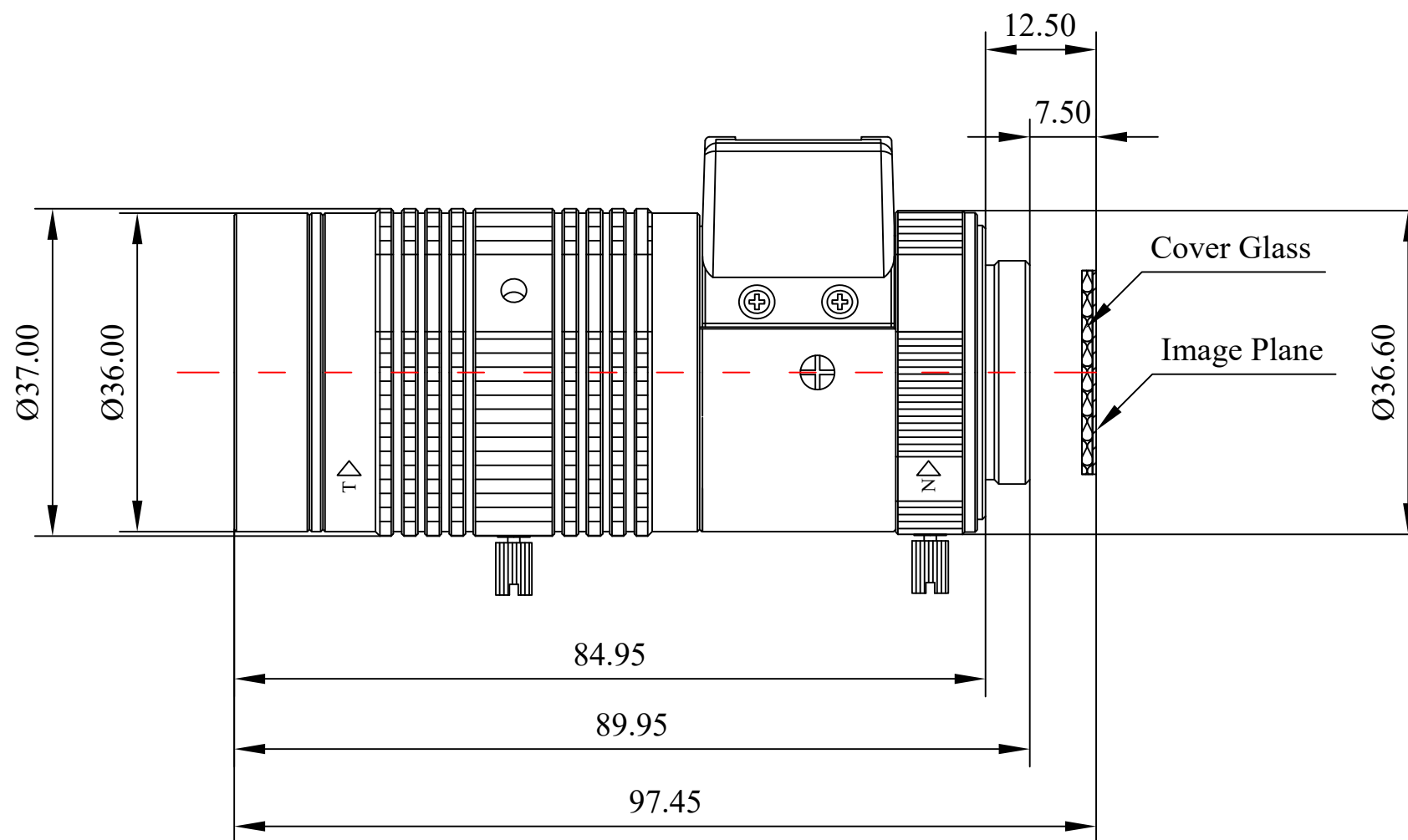
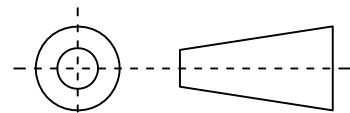


1	Type	Vari-Focal Lens	
2	Image Format	1/2"	
3	Image Circle	Ø8.0mm	
4	EFL	30~120mm	
5	F/No.	F1.8	
6	FFL	7.5mm	
7	BFL	12.5mm	
8	Detector	1/2" (16:9) W-T	
9	F.O.V	Horizontal	15°~3.27°
10		Vertical	11°~1.84°
11		Diagonal	18.9°~2.85°
12	C.R.A	3.4°~2.6° (W-T)	
13	Illumination	40.0%~61.1% (W-T)	
14	Distortion	-3.0%~1.3% (W-T)	
15	M.O.D	0.2m-1m (W-T)	
16	Wavelength	430~650&850nm	
17	Dimension	Ø39.5*53.0mm	
18	IR Correction	Yes	
19	Mount	CS	
20	Iris Operation	DC-IRIS	
21	Zoom Operation	Manual	
22	Storage Temperature	Manual	
23	Operating Temperature	-20°C~+70°C	
24	Storage Temperature	-20°C~+70°C	



Scale	Remark	Tolerances	Date	Revised		福州创安光电科技有限公司 FUZHOU CHUANGAN OPTICS CO., LTD
4:1	X	±0.2	2023-12-07	CH944A Rev1.0		
	X.0	±0.15				
Units	X.00	±0.10	Design	Linda	2023-04-18	 3D Angle Projection
	X.000	±0.001	Checked	Anna	2023-05-03	
mm	Angle	±0.5°	Approval	Sanmu	2023-06-06	