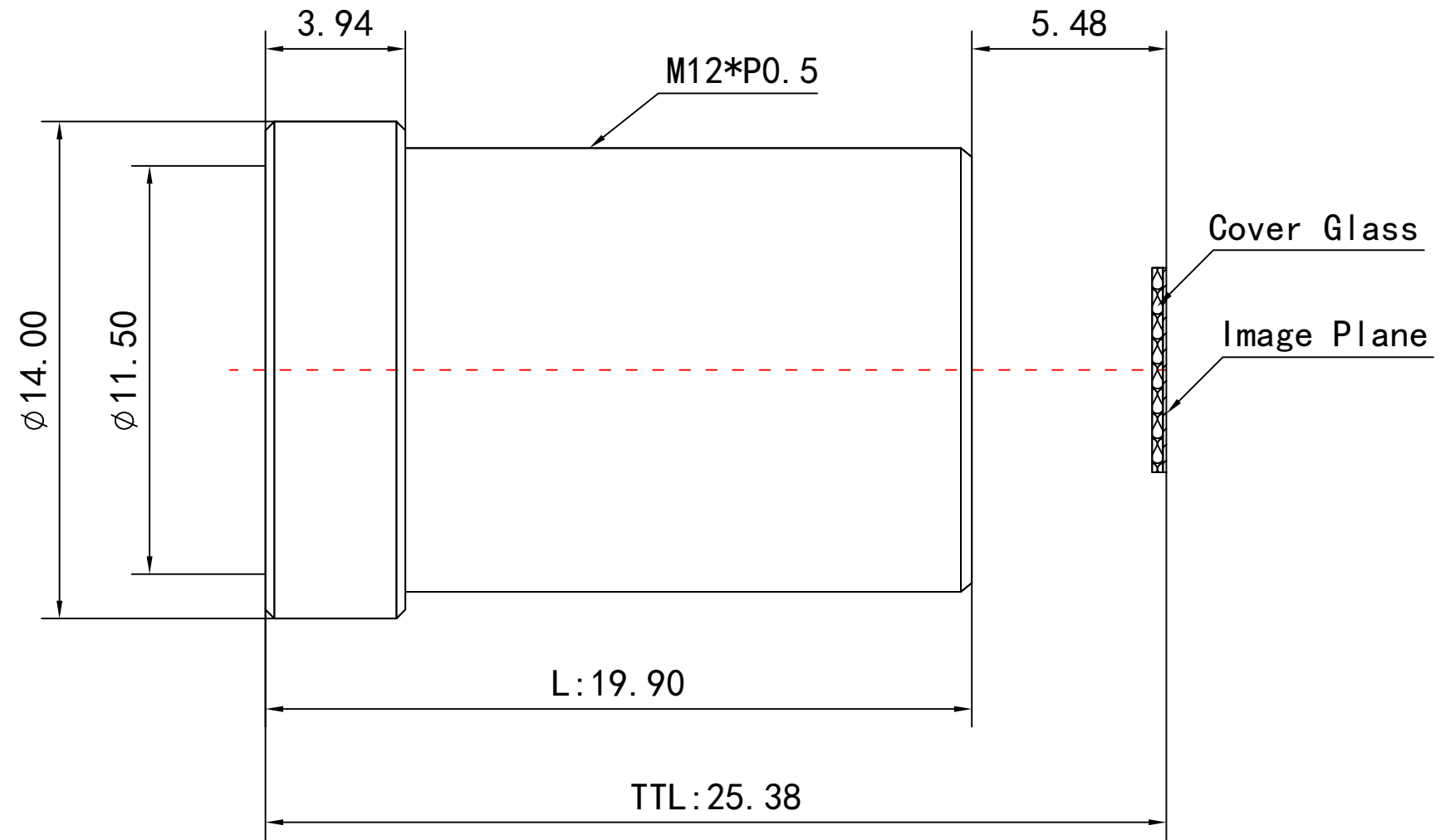


1	Sensor	1/2.5"	
2	Resolution	MP	
3	Image Format	5.76*4.28*7.13mm	
4	Image Circle	φ7.2mm(MAX)	
5	EFL	6mm	
6	TTL	24.95mm	
7	F/NO.	2.0	
8	FFL (M)	5.48mm	
9	BFL (O)	8.45mm	
10	For Sensor	1/2.5"	
11	F.O.V	Horizontal	53°
12		Vertical	41°
13		Diagonal	67°
14	TV Distortion	<-6.5%	
15	Relative Ill.	>60%	
16	Chief Ray Angle	<15%	
17	M.O.D	0.1m~∞	
18	Mount Type	M12*P0.5-6g	
19	Dimension Figure	φ14.0*L19.47mm	
20	Lens Structure	6G All Glass	
21	IR-Filter	Non IR	
22	Weight	6.0g	
23	Iris Operation	Fixed	
24	Zoom Operation	Fixed	
25	Focus Operation	Manual	
26	Operating Temperature	-20° ~+85°	
27	Storage Temperature	-20° ~+85°	



Scale	Remark	Tolerances	REV.	Date	Description	Revised	福州创安光电科技有限公司 FUZHOU CHUANGAN OPTICS CO., LTD
4: 1	X	± 0.2	I				
	X.0	± 0.15	II				
Units	X.00	± 0.10	Design		Linda	2017-05-03	
	X.000	± 0.001	Checked		Anna	2017-08-05	
mm	Angle	± 0.5°	Approval		Sanmu	2017-09-15	

