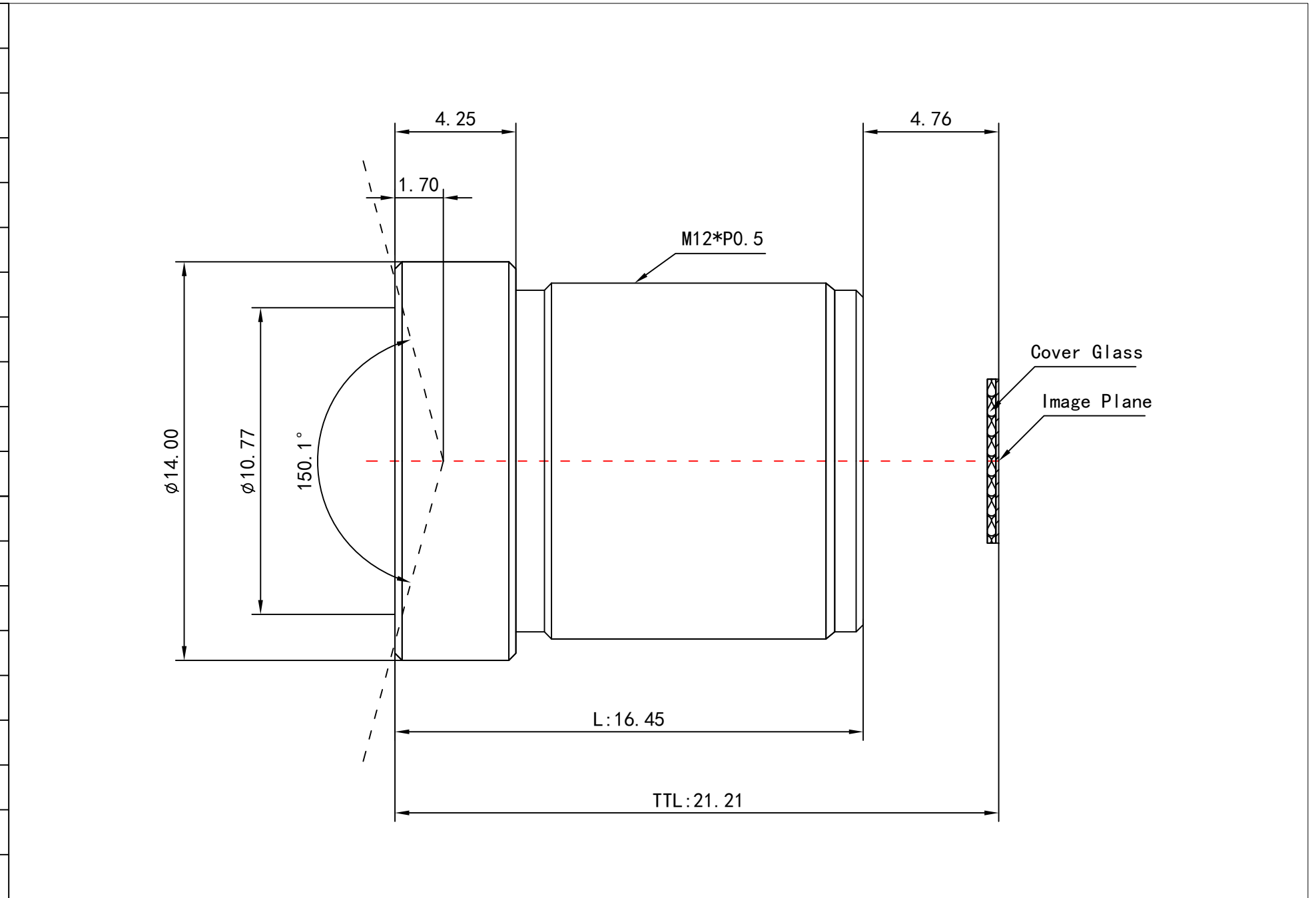


1	Type	Board Lens	
2	Resolution	2MP	
3	Image Format	1/2.7"	
4	Image Circle	φ7.0mm(MAX)	
5	EFL	2.8mm	
6	TTL	21.21mm	
7	F/NO.	2.2	
8	FFL (M)	4.67mm	
9	BFL (O)	4.96mm	
10	For Sensor	1/2.7"	
11	F.O.V	Horizontal	123.9°
12		Vertical	65.3°
13		Diagonal	150.1°
14	TV Distortion	<-16.3%	
15	Relative Ill.	>65%	
16	Chief Ray Angle	<15°	
17	M.O.D	0.1m~∞	
18	Mount Type	M12*P0.5-6g	
19	Dimension Figure	φ14.0*L16.45mm	
20	Lens Structure	2G3P	



Remark: 台阶-金属

21	IR-Filter	Non-IR					福州创安光电科技有限公司 FUZHOU CHUANGAN OPTICS CO., LTD	
22	Weight	4.5g	Scale	Remark	Tolerances	Date		Revised
23	Iris Operation	Fixed	4: 1	X	± 0.2	2019-06-22		CH844D Rev1.0
24	Zoom Operation	Fixed		X.0	± 0.15			
25	Focus Operation	Manual	Units	X.00	± 0.10	Design	Linda	2016-08-05
26	Operating Temperature	-15° ~+70°	mm	X.000	± 0.001	Checked	Anna	2016-10-20
27	Storage Temperature	-15° ~+70°		Angle	± 0.5°	Approval	Sanmu	2016-10-22

