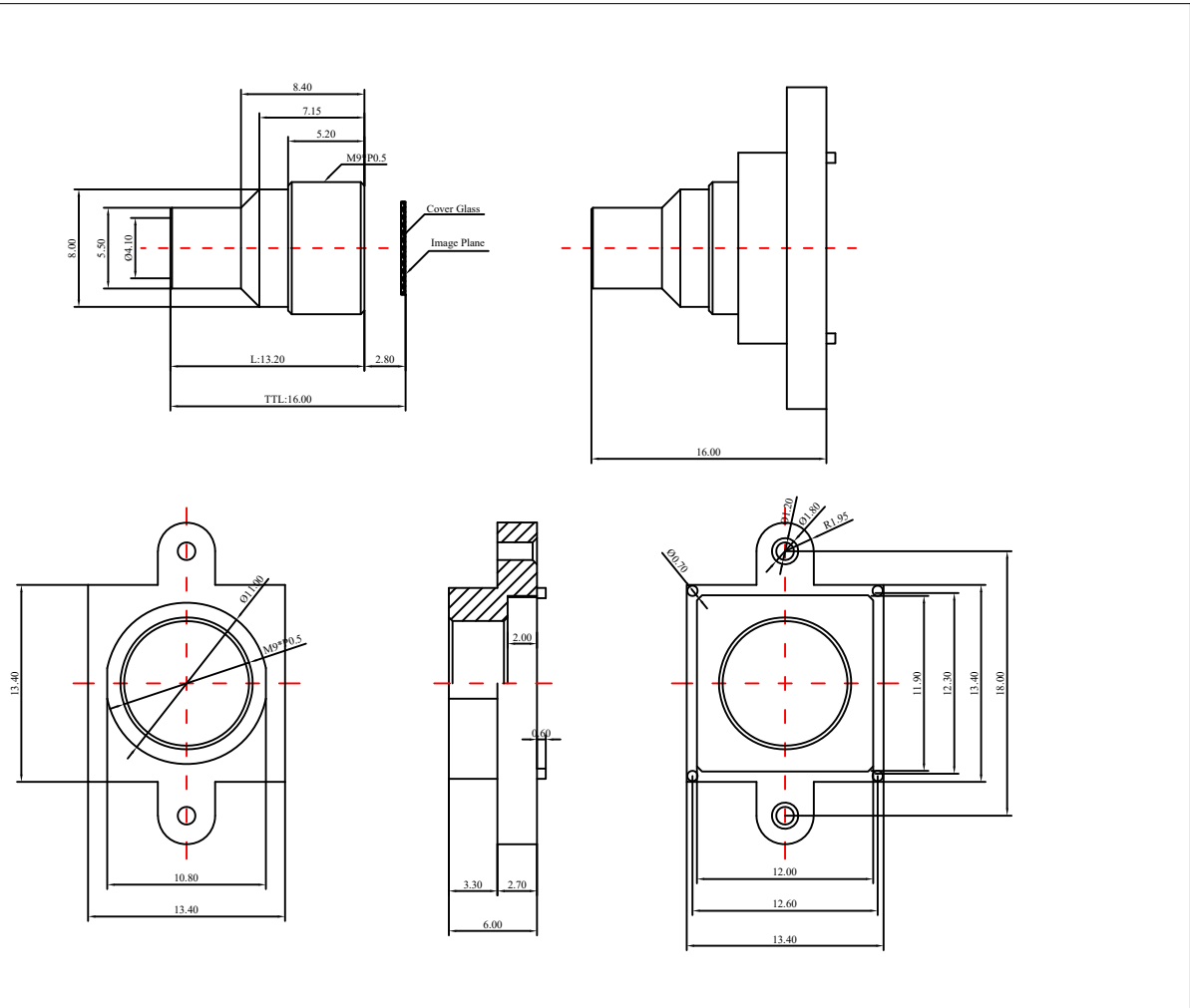
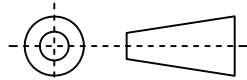


1	Type	M9 Lens			
2	Resolution	MP			
3	Image Format	1/2.7"			
4	Image Circle	φ7.6mm(MAX)			
5	EFL	16mm			
6	TTL	16mm			
7	F/NO.	F4.8			
8	FFL (M)	2.80mm			
9	BFL (O)	5.84mm			
10	For Sensor	OV2710	OV2718	OV8858	
11	F.O.V	Horizontal	21.8°	20.5°	13.7°
12		Vertical	12.5°	10.6°	10.5°
13		Diagonal	25.3°	23.2°	17.2°
14	TV Distortion	<-0.16%	<-0.1%	<-0.01%	
15	Relative Ill.	>93%	>95%	>97%	
16	Chief Ray Angle	<13.3°	<12°	<10°	
17	M.O.D	0.1m~∞			
18	Mount Type	M9*P0.5			
19	Dimension Figure	φ9.0*L13.2mm			
20	Lens Structure	4G			
21	IR-Filter	Non-IR			
22	Waterproof	No			
23	Weight	lens+holder 1.9g			
24	Iris Operation	Fixed			
25	Zoom Operation	Fixed			
26	Focus Operation	Manual			
27	Operating Temperature	-25° ~+85°			
28	Storage Temperature	-25° ~+85°			



Scale	Remark	Tolerances	Date	Revised		福州创安光电科技有限公司 FUZHOU CHUANGAN OPTICS CO., LTD
4:1	X	±0.2	2024-08-01	CH8085A Rev1.0		
Units	X.00	±0.10	Design	Linda	2023-10-13	 3D Angle Projection
	X.000	±0.001	Checked	Anna	2023-11-23	
mm	Angle	±0.5°	Approval	Sanmu	2023-12-03	