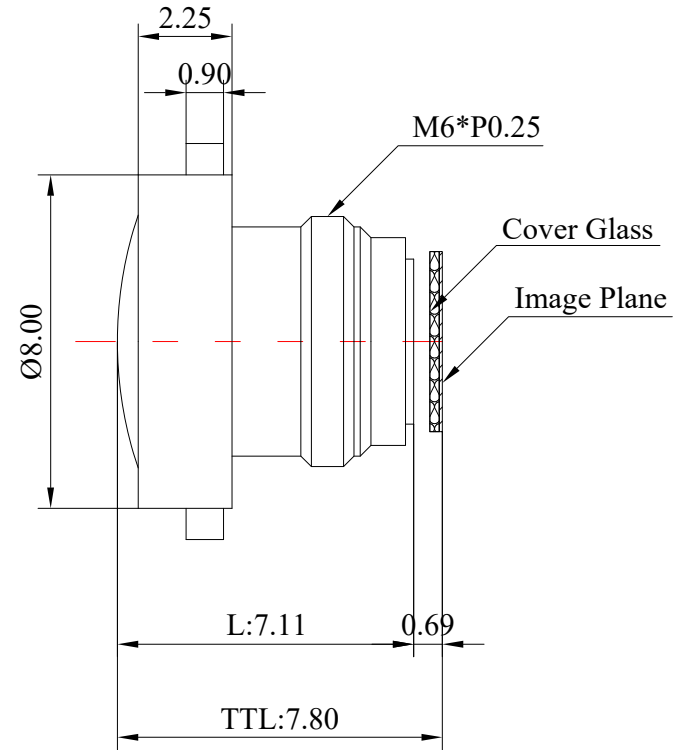
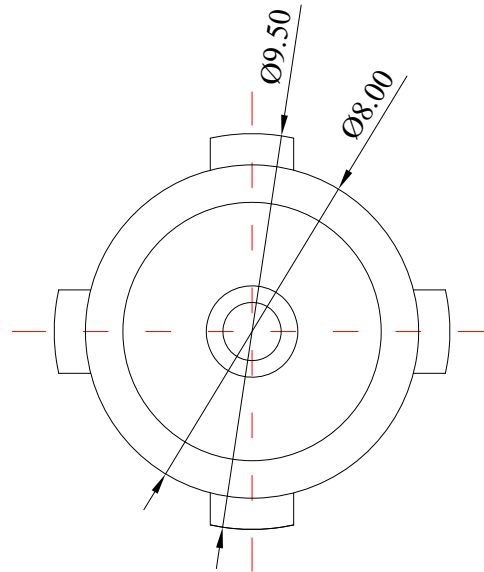
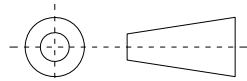


1	Type	M6 Lens		
2	Resolution	12MP		
3	Image Format	1/5"		
4	Image Circle	φ4.3mm(MAX)		
5	EFL	1.7mm		
6	TTL	7.80mm		
7	F/NO.	F2.0		
8	FFL (M)	0.69mm		
9	BFL (O)	1.15mm		
10	For Sensor	1/5"	1/6"	
11	F.O.V	Horizontal	120°	96°
12		Vertical	90°	72°
13		Diagonal	150°	120°
14	TV Distortion	<-12%		
15	Relative Ill.	>57%		
16	Chief Ray Angle	<25°		
17	M.O.D	0.1m~∞		
18	Mount Type	M6*P0.25		
19	Dimension Figure	φ9.5*L7.11mm		
20	Lens Structure	6P		
21	IR-Filter	Non-IR		
22	Waterproof	No		
23	Weight	---		
24	Iris Operation	Fixed		
25	Zoom Operation	Fixed		
26	Focus Operation	Manual		
27	Operating Temperature	-25° ~+85°		
28	Storage Temperature	-25° ~+85°		



Scale	Remark	Tolerances	Date	Revised		福州创安光电科技有限公司 FUZHOU CHUANGAN OPTICS CO., LTD
4:1	X	±0.2	2024-03-18	CH8070A Rev1.0		
Units	X.00	±0.10	Design	Linda	2024-02-27	 3D Angle Projection
	X.000	±0.001	Checked	Anna	2024-03-11	
mm	Angle	±0.5°	Approval	Sanmu	2024-03-17	