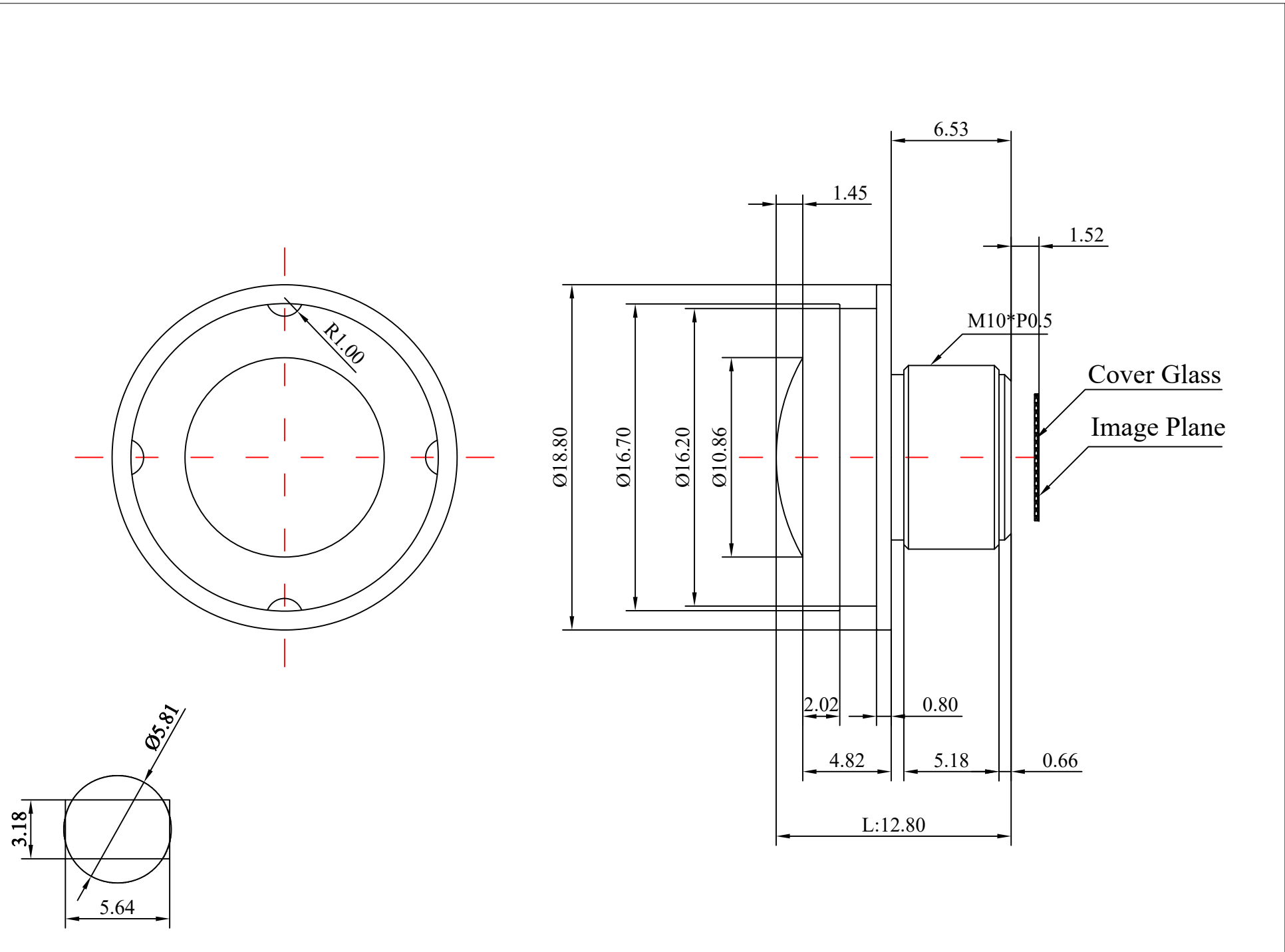
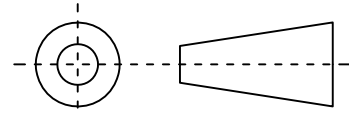


1	Type	Automotive	
2	Resolution	8.8MP	
3	Image Format	1/2.8"	
4	Image Circle	φ5.81mm(MAX)	
5	EFL	1.65mm	
6	TTL	14.23mm	
7	F/NO.	F2.4	
8	FFL (M)	1.52mm	
9	BFL (O)	3.60mm	
10	For Sensor	IMX307	
11	F.O.V	Horizontal	209°
12		Vertical	100.4°
13		Diagonal	220°
14	OPT Distortion	<-96.2%	
15	Relative Ill.	>72.0%	
16	Chief Ray Angle	<22°	
17	M.O.D	0.1m~∞	
18	Mount Type	M10*P0.5	
19	Dimension Figure	φ18.80*L12.80mm	
20	Lens Structure	6G	
21	IR-Filter	IR650nm	
22	Waterproof	IP69	
23	Weight	4.3g	
24	Iris Operation	Fixed	
25	Zoom Operation	Fixed	
26	Focus Operation	Manual	
27	Operating Temperature	-20° ~+85°	
28	Storage Temperature	-20° ~+85°	



Scale	Remark	Tolerances	Date	Revised		福州创安光电科技有限公司 FUZHOU CHUANGAN OPTICS CO., LTD
4:1	X	±0.2	2023-12-07	CH8052EB Rev2.0		
	X.0	±0.15				
Units	X.00	±0.10	Design	Linda	2022-12-05	 3D Angle Projection
	X.000	±0.001	Checked	Anna	2022-12-09	
mm	Angle	±0.5°	Approval	Sanmu	2022-12-22	