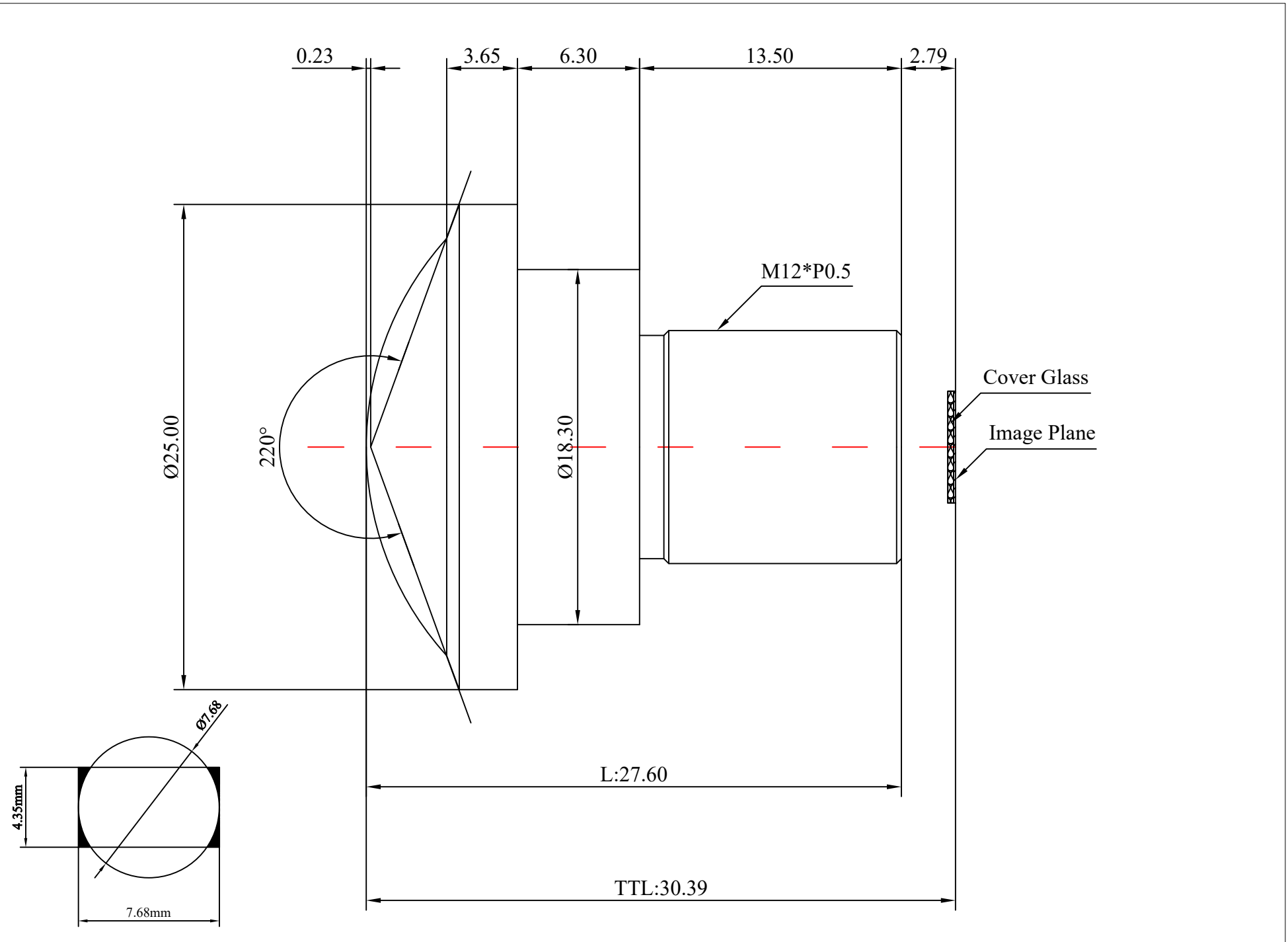
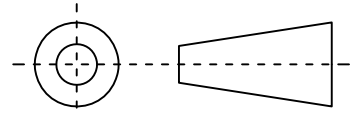


1	Type	Fisheye Lens
2	Resolution	16MP
3	Image Format	1/1.8"
4	Image Circle	φ7.72mm(MAX)
5	EFL	2.2mm
6	TTL	30.39mm
7	F/NO.	F2.8
8	FFL (M)	2.79mm
9	BFL (O)	4.16mm
10	For Sensor	1/1.8"
11	F.O.V	Horizontal 217.8° Φ7.68
12		Vertical 114.5° Φ4.35
13		Diagonal 217.8° Φ7.68
14	F-Theta Distortion	<-9.84%
15	Relative Ill.	>80%
16	Chief Ray Angle	<12°
17	M.O.D	0.1m~∞
18	Mount Type	M12*P0.5
19	Dimension Figure	Φ25.0*L27.60mm
20	Lens Structure	8G
21	IR-Filter	IR650nm
22	Waterproof	IP67
23	Weight	15.3g
24	Iris Operation	Fixed
25	Zoom Operation	Fixed
26	Focus Operation	Manual
27	Operating Temperature	-20° ~+85°
28	Storage Temperature	-20° ~+85°



Scale	Remark	Tolerances	Date	Revised		福州创安光电科技有限公司 FUZHOU CHUANGAN OPTICS CO., LTD
4:1	X	±0.2	2022-10-20	CH8045BB Rev1.0		
	X.0	±0.15				
Units	X.00	±0.10	Design	Linda	2022-07-01	 3D Angle Projection
	X.000	±0.001	Checked	Anna	2022-07-09	
mm	Angle	±0.5°	Approval	Sanmu	2022-09-10	