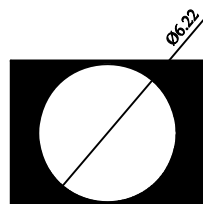
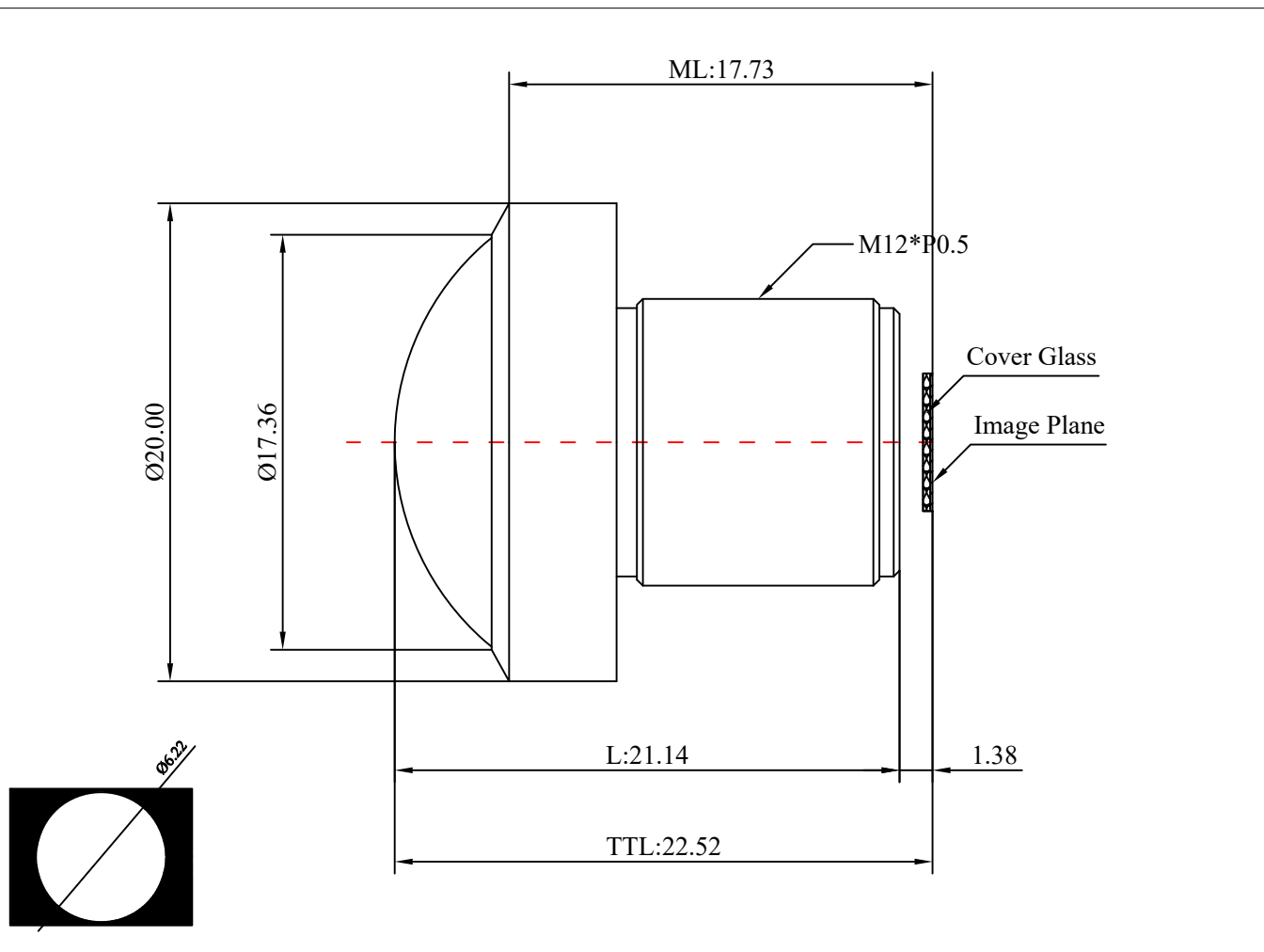




PRODUCT: CH8043AB

1	Type	Fisheye Lens	
2	Resolution	16MP	
3	Image Format	2/3"	
4	Image Circle	φ6.22mm(MAX)	
5	EFL	1.85mm	
6	TTL	22.52mm	
7	F/NO.	F2.2	
8	FFL (M)	1.38mm	
9	BFL (O)	2.08mm	
10	For Sensor	2/3"	
11	F.O.V	Horizontal	230°
12		Vertical	230°
13		Diagonal	230°
14	F-Theta Distortion	<-17.3%	
15	Relative Ill.	>94%	
16	Chief Ray Angle	<10.3°	
17	M.O.D	0.1m~∞	
18	Mount Type	M12*P0.5	
19	Dimension Figure	Φ20.0*L21.14mm	
20	Lens Structure	8G	
21	IR-Filter	T=50%&IR650±10nm	
22	Waterproof	No	
23	Weight	9.3g	
24	Iris Operation	Fixed	
25	Zoom Operation	Fixed	
26	Focus Operation	Manual	
27	Operating Temperature	-20° ~+85°	
28	Storage Temperature	-20° ~+85°	



Scale	Remark	Tolerances	Date	Revised	
4:1	X	±0.2	2022-09-16	CH8043AB-IMX274 Rev1.0	
	X.0	±0.15			
Units	X.00	±0.10	Design	Linda	2022-07-01
	X.000	±0.001	Checked	Anna	2022-07-09
mm	Angle	±0.5°	Approval	Sanmu	2022-09-10

福州创安光电科技有限公司
FUZHOU CHUANGAN OPTICS CO., LTD

3D Angle Projection