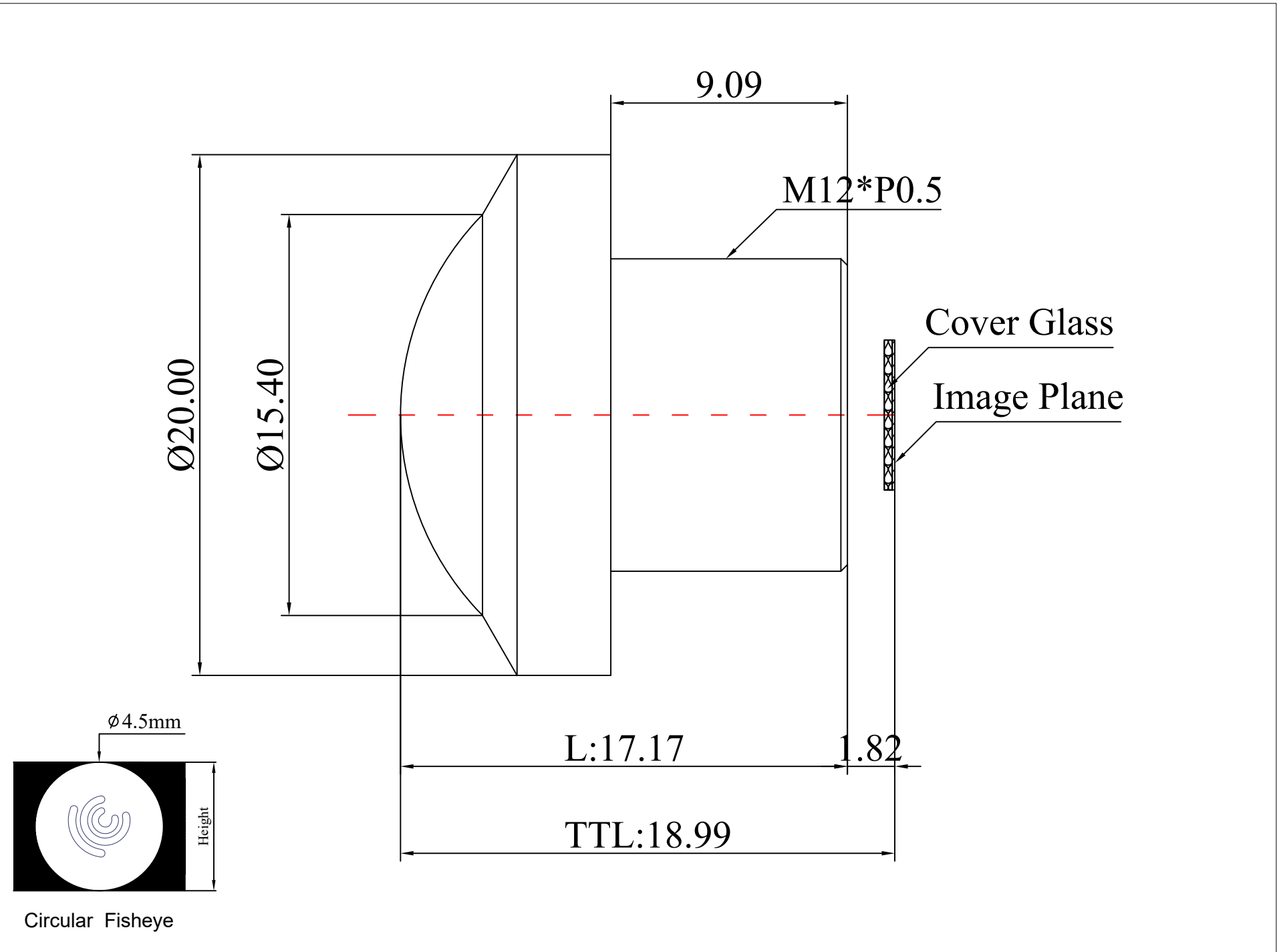
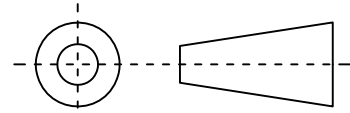


1	Type	Fisheye Lens	
2	Resolution	12MP	
3	Image Format	1/2"	
4	Image Circle	φ4.5mm(MAX)	
5	EFL	1.45mm	
6	TTL	18.99mm	
7	F/NO.	F2.0	
8	FFL (M)	1.82mm	
9	BFL (O)	2.60mm	
10	For Sensor	AR0821	IMX415
11	F.O.V	Horizontal	240°
12		Vertical	240°
13		Diagonal	228°
14	F-Theta Distortion	<-20.91%	
15	Relative Ill.	>80%	
16	Chief Ray Angle	<18°	
17	M.O.D	0.1m~∞	
18	Mount Type	M12*P0.5	
19	Dimension Figure	φ20.00*L17.17mm	
20	Lens Structure	8G	
21	IR-Filter	T=50%&IR650±10nm	
22	Waterproof	No	
23	Weight	7.2g	
24	Iris Operation	Fixed	
25	Zoom Operation	Fixed	
26	Focus Operation	Manual	
27	Operating Temperature	-25° ~+85°	
28	Storage Temperature	-25° ~+85°	



Scale	Remark	Tolerances	Date	Revised	
4:1	X	±0.2	2021-12-28	CH8039AB Rev1.0	
	X.0	±0.15			
Units	X.00	±0.10	Design	Linda	2021-12-09
	X.000	±0.001	Checked	Anna	2021-12-21
mm	Angle	±0.5°	Approval	Sanmu	2021-12-26

福州创安光电科技有限公司  
FUZHOU CHUANGAN OPTICS CO., LTD



3D Angle Projection