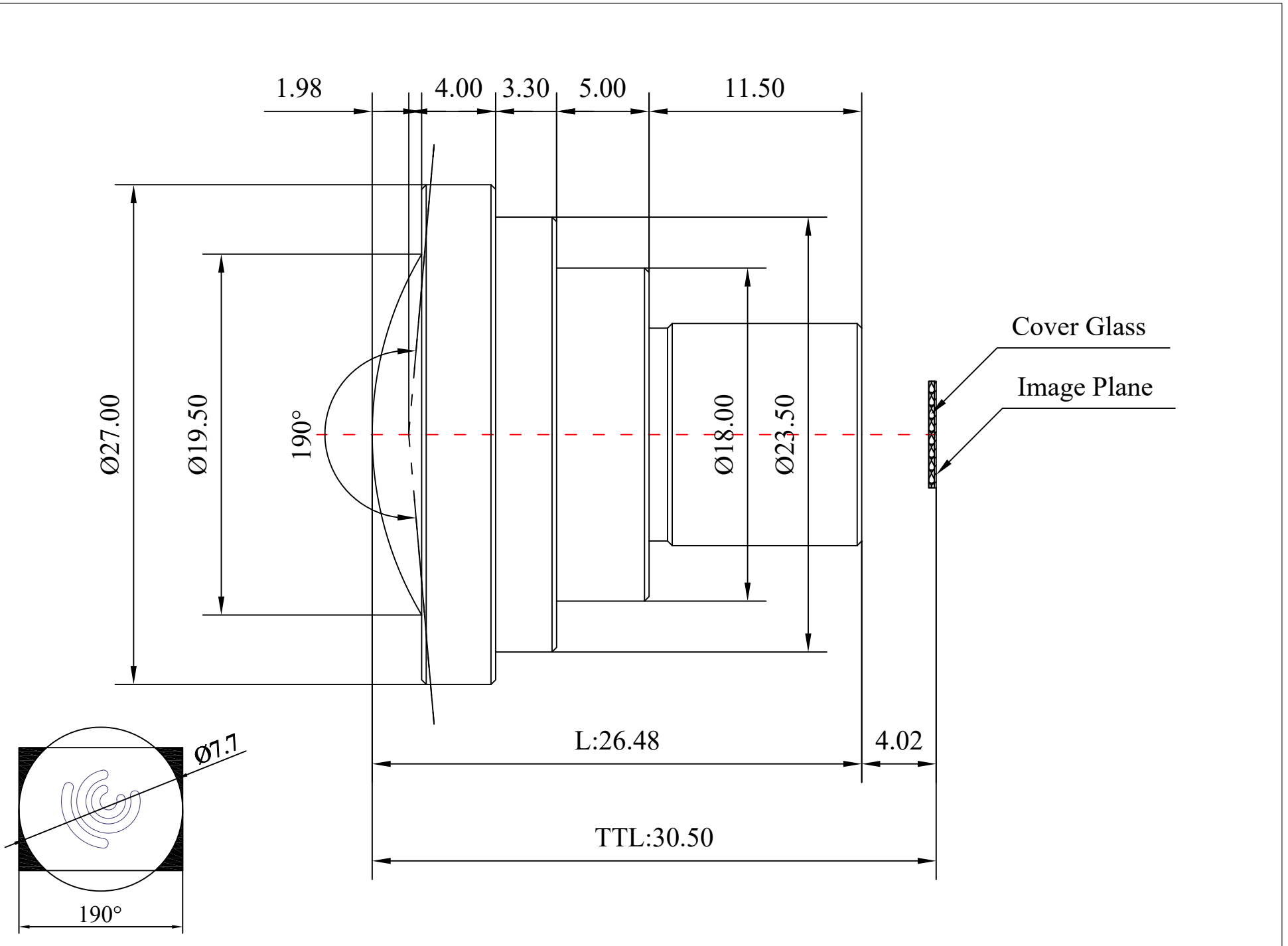
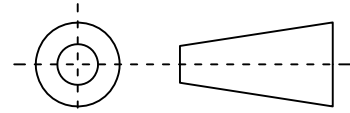


1	Type	Fisheye Lens			
2	Resolution	8.8MP			
3	Image Format	1/1.8"			
4	Image Circle	φ7.7mm(MAX)			
5	EFL	2.52mm			
6	TTL	30.5mm			
7	F/NO.	2.8			
8	FFL (M)	4.02mm			
9	BFL (O)	4.80mm			
10	For Sensor	IMX334	1/2"	1/3"	
11	F.O.V	Horizontal	190°	159°	119.5°
12		Vertical	108.6°	119.5°	89.6°
13		Diagonal	190°	159°	149.2°
14	F-Theta Distortion	-8.15% @7.68mm			
15	Relative Ill.	>80% @7.68mm			
16	Chief Ray Angle	<12°			
17	M.O.D	0.1m~∞			
18	Mount Type	M12*P0.5			
19	Dimension Figure	φ27.00*L26.48mm			
20	Lens Structure	11G			
21	IR-Filter	Non-IR			
22	Waterproof	---			
23	Weight	20g			
24	Iris Operation	Fixed			
25	Zoom Operation	Fixed			
26	Focus Operation	Manual			
27	Operating Temperature	-45° ~+85°			
28	Storage Temperature	-45° ~+85°			



Scale	Remark	Tolerances	Date	Revised		福州创安光电科技有限公司 FUZHOU CHUANGAN OPTICS CO., LTD
4:1	X	±0.2	2022-01-06	CH8035D Rev1.0		
	X.0	±0.15				
Units	X.00	±0.10	Design	Linda	2021-05-03	 3D Angle Projection
	X.000	±0.001	Checked	Anna	2021-05-09	
mm	Angle	±0.5°	Approval	Sanmu	2021-07-12	