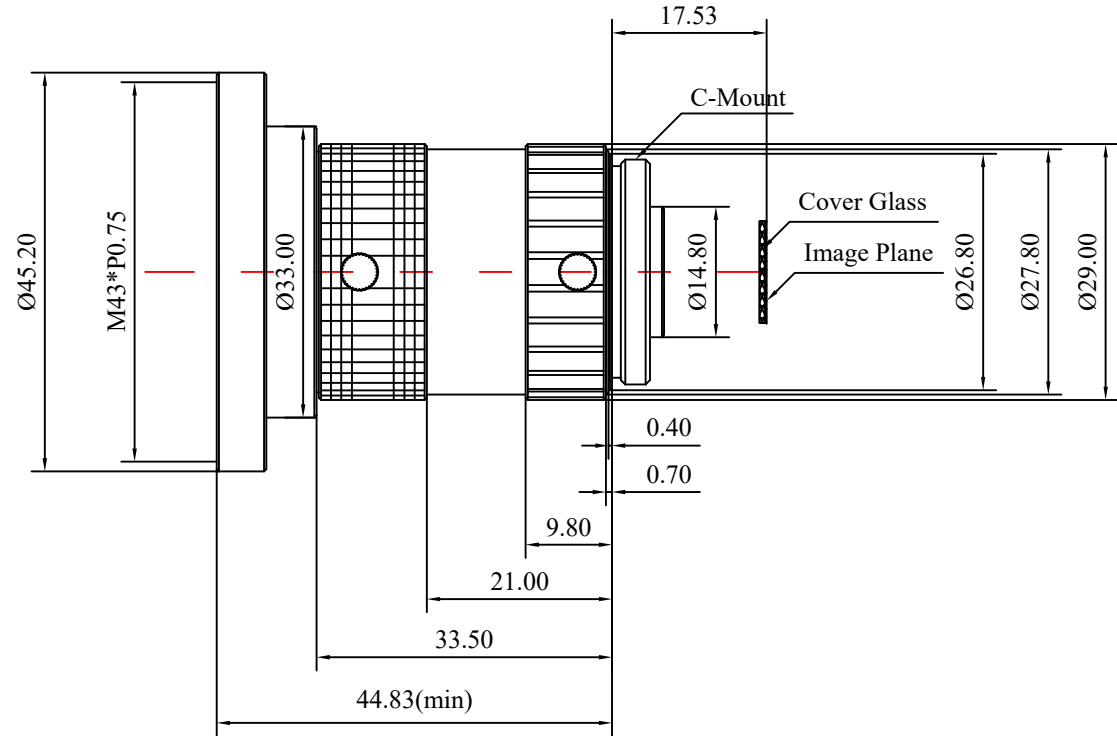
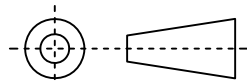


EFL		6mm		
F/No.		F2.4-16		
Resolution		12MP		
For Sensor		1/1.7" (7.4x5.6mm)	1/2" (6.4x4.8mm)	1/3" (4.8x3.6mm)
F.O.V	H	64.06°	56.78°	43.97°
	V	50.55°	44.15°	33.71°
	D	76.02°	68.07°	53.55°
Object Dimension at 150mm	H	203.58mm	175.88mm	131.97mm
	V	153.64mm	131.97mm	98.59mm
	D	254.34mm	219.79mm	164.19mm
TV Distortion		<-1.23%	<-1.35%	<-0.96%
M.O.D		0.1m~∞		
FFL		17.53mm		
BFL		11.737mm		
Filter Size		M43*P0.75		
Front/ Rear Effective Dia		Ø22.722mm/Ø10.11mm		
Mount Type		C-Mount		
Operating Temperature		-20°C~+85°C		
Storage Temperature		-20°C~+85°C		
Working Distance(mm)	Optical Magnificati	1/1.7" F.O.V (mm)		
5000	0.0012X	6366.1	4801.3	
2000	0.003X	2556.9	1928.5	
1000	0.0059X	1284.0	968.3	
900	0.0065X	1157.0	872.4	
800	0.007X	1029.9	776.6	
700	0.008X	902.9	680.8	
600	0.010X	775.8	585.0	
550	0.011X	712.3	537.1	
500	0.012X	649.1	489.4	
450	0.013X	585.3	441.2	
400	0.014X	521.8	393.3	
350	0.016X	458.2	345.4	
300	0.020X	394.7	297.5	
250	0.023X	331.2	249.6	
200	0.028X	267.7	201.7	
150	0.037X	203.6	153.6	
100	0.054X	140.5	105.8	



Remark: Weight 70g

Scale	Remark	Tolerances	Date	Revised		福州创安光电科技有限公司 FUZHOU CHUANGAN OPTICS CO., LTD
				Design	Checked	
4:1	X	±0.2	2024-04-07	CH670A Rev1.0		 3D Angle Projection
	X.0	±0.15		Linda	2024-01-02	
Units	X.00	±0.10	Design	Anna	2024-02-01	
	X.000	±0.001	Checked	Sanmu	2024-03-18	
mm	Angle	±0.5°	Approval			