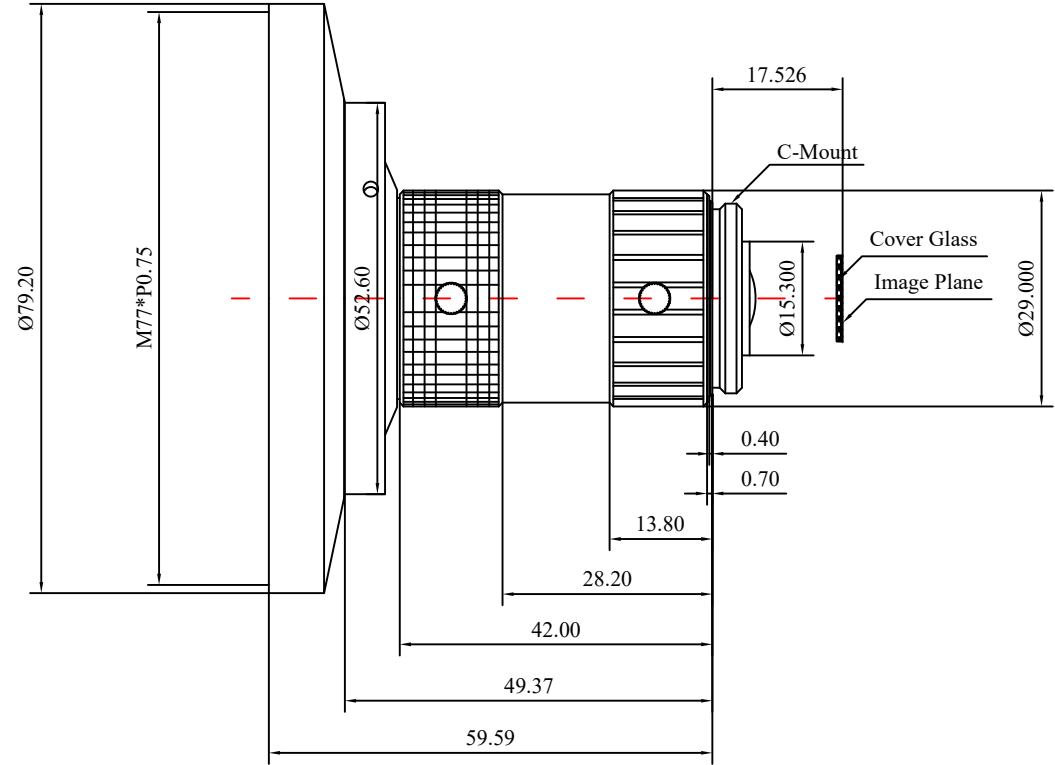
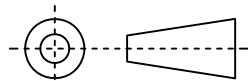


EFL		4mm		
F/No.		F2.8-16		
Resolution		12MP		
For Sensor		1/1.7" (7.4x5.6mm)	1/2" (6.4x4.8mm)	1/3" (4.8x3.6mm)
F.O.V	H	86.1°	78.11°	62.54°
	V	70.8°	62.54°	48.71°
	D	98.2°	90.27°	74.54°
Object Dimension at 150mm	H	311.7mm	270.78mm	202.68mm
	V	237mm	202.68mm	151.08mm
	D	386.5mm	335.35mm	253.97mm
TV Distortion		<-1.202%	<-1.39%	<-1.70%
M.O.D		0.1m~∞		
FFL		17.53mm		
BFL		9.916mm		
Filter Size		M77*P0.75		
Front/ Rear Effective Dia		Ø40.66mm/Ø10.91mm		
Mount Type		C-Mount		
Operating Temperature		-20°C~+85°C		
Storage Temperature		-20°C~+85°C		
Working Distance(mm)	Optical Magnificati	1/1.7" F.O.V (mm)		
5000	0.0008X	9420.9	7176.3	
2000	0.0020X	3786.1	2883.8	
1000	0.0039X	1908.1	1453.1	
900	0.0044X	1720.3	1310	
800	0.0049X	1532.5	1166.9	
700	0.0056X	1344.7	1023.8	
600	0.0065X	1156.9	880.8	
550	0.0071X	1062.9	809.1	
500	0.0078X	967	737.6	
450	0.0086X	875.1	666.1	
400	0.0096X	781.2	594.6	
350	0.011X	687.3	523	
300	0.013X	593.4	451.5	
250	0.018X	499.5	380	
200	0.019X	405.6	308.5	
150	0.024X	311.7	237	
100	0.035X	217.9	165.5	



Remark: Weight 119g

Scale	Remark	Tolerances	Date	Revised		福州创安光电科技有限公司 FUZHOU CHUANGAN OPTICS CO., LTD
	X	±0.2	2024-04-07	CH669A Rev1.0		
4:1	X.0	±0.15				 3D Angle Projection
	X.00	±0.10	Design	Linda	2024-01-02	
Units	X.000	±0.001	Checked	Anna	2024-02-01	
	Angle	±0.5°	Approval	Sanmu	2024-03-18	