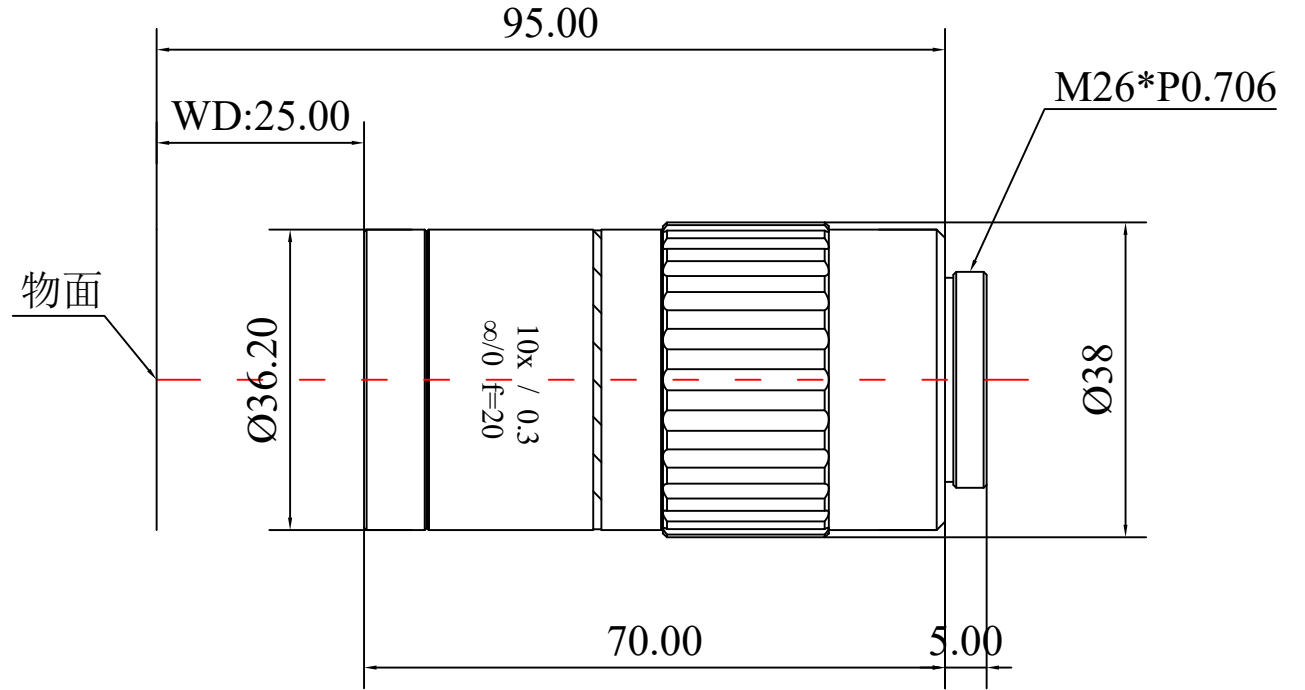
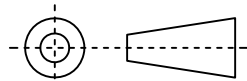


1	Type	Objective Lens
2	Magnification	10X
3	N/A	0.3
4	W.D	25mm
5	EFL	20mm
5	Image Format	Full Frame
6	Max Image Circle	Ø44mm
7	Working Band	420-680nm
8	Resolution	0.92µm
9	Depth of focus	3.06µm
10	Mount	M26*P0.706
11	Weight	---
12	Iris Operation	Fixed
13	Zoom Operation	Fixed
14	Focus Operation	Manual
15	Operating Temperature	-20°~+85°
16	Storage Temperature	-20°~+85°



Scale	Remark	Tolerances	Date	REVISED		福州创安光电科技有限公司 FUZHOU CHUANGAN OPTICS CO., LTD
1.5 : 1	X	±0.3	2024-05-16	CH653A Rev1.0		
	X.0	±0.2				
Units	X.00	±0.1	Design	Linda	2024-03-16	 3D Angle Projection
	X.000	±0.05	Checked	Anna	2024-03-25	
mm	Angle	±0.5°	Approval	Sanmu	2024-04-10	