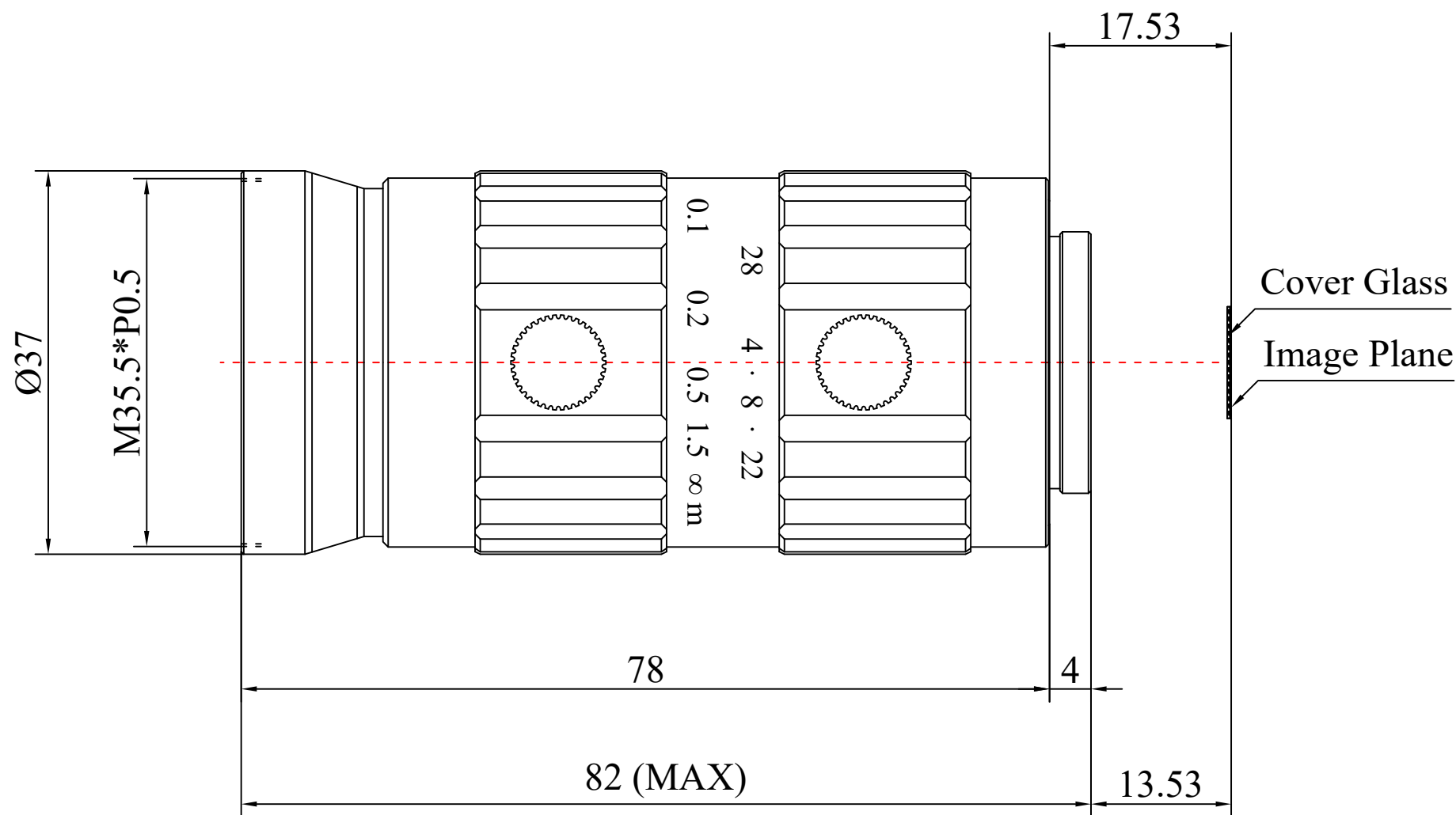
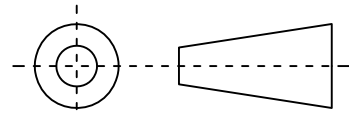


1	Type	Machine vision Lens			
2	EFL	25mm			
3	F.NO	F2.8~22			
4	Resolution	20MP			
5	Image Format	1.1"			
6	BFL (M)	17.53			
7	For Sensor	1.1"	1"	2/3"	
8	F.O.V	Horizontal	30.4°	27.6°	19.2°
9		Vertical	23°	20.9°	14.53°
10		Diagonal	37.6°	34.2°	23.9°
11	TV Distortion	<0.15%	<0.1%	<0.03%	
12	M.O.D	0.1m			
13	Mount Type	C/CS			
14	Dimension Figure	φ37.00*L82.00			
15	Filter Size	M35.5*P0.5			
16	Weight	---			



17	Iris Operation	Manual	Scale	Remark	Tolerances	Date	Revised		
18	Zoom Operation	Fixed		1.5 : 1	X	±0.2	2021-01-15	CH604A Rev1.0	
19	Focus Operation	Manual			X.0	±0.15			
20	Operating Temperature	-20° +85°	Units	X.00	±0.10	Design	Linda	2016-02-10	
21	Storage Temperature	-20° +85°		mm	X.000	±0.001	Checked	Anna	2016-05-07
					Angle	±0.5°	Approval	Sanmu	2016-05-28

福州创安光电科技有限公司
FUZHOU CHUANGAN OPTICS CO., LTD



3D Angle Projection