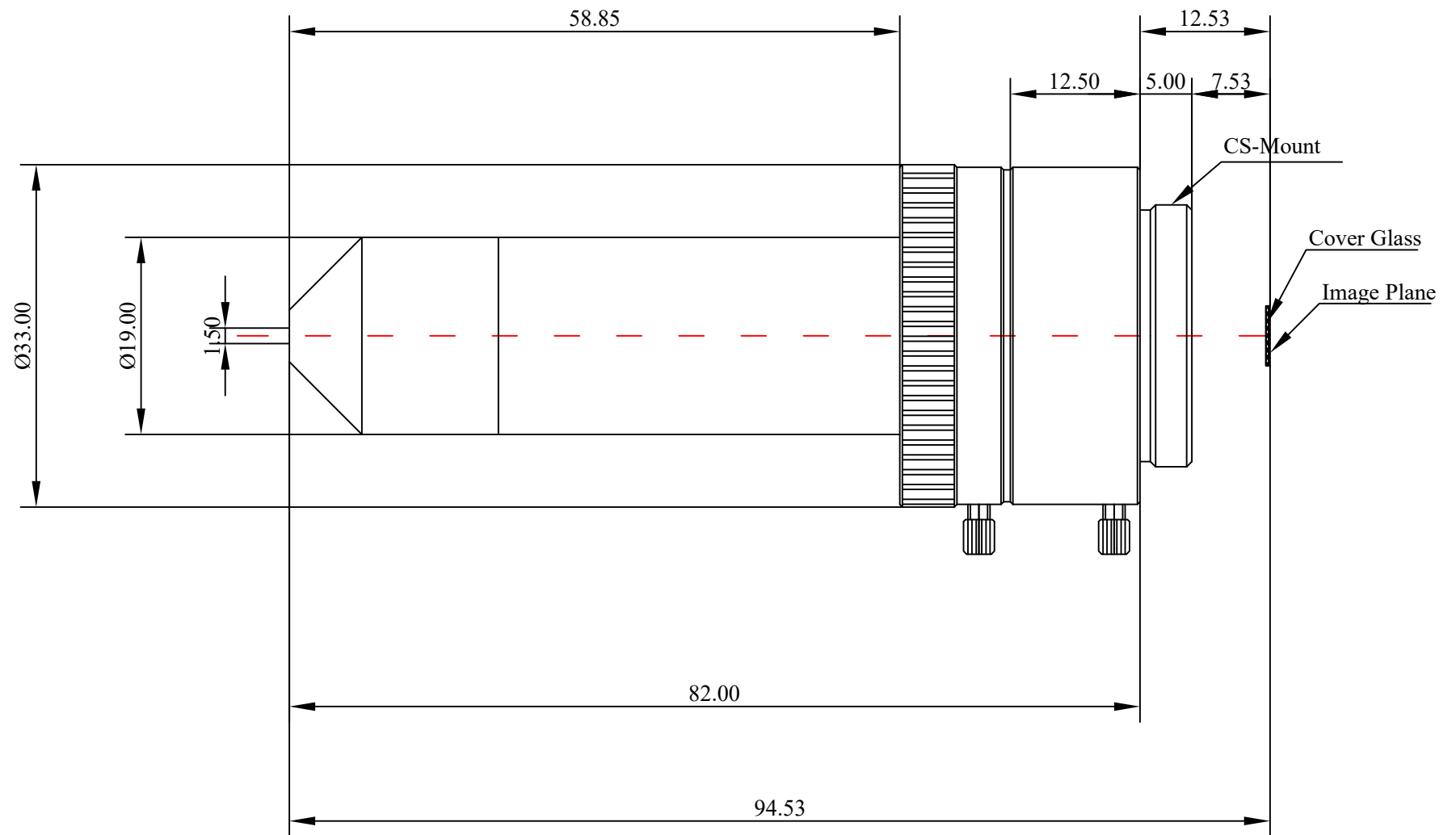


1	Type	Pinhole lens	
2	Resolution	2MP	
3	Image Format	1/3"	
4	Image Circle	φ5.4mm(MAX)	
5	EFL	4mm	
6	TTL	94.53mm	
7	F/NO.	F1.8-C	
8	FFL (M)	7.53mm	
9	BFL (O)	12.53mm	
10	For Sensor	1/3"	
11	F.O.V	Horizontal	51.1°
12		Vertical	68.9°
13		Diagonal	---
14	TV Distortion	---	
15	Relative Ill.	---	
16	Chief Ray Angle	---	
17	M.O.D	0.15m~∞	
18	Mount Type	CS-Mount	
19	Dimension Figure	φ33*L87mm	
20	Lens Structure	10G	
21	IR-Filter	Non-IR	
22	Waterproof	No	
23	Weight	81g	
24	Iris Operation	Manual	
25	Zoom Operation	Fixed	
26	Focus Operation	Manual	
27	Operating Temperature	-25° ~+85°	
28	Storage Temperature	-25° ~+85°	



Scale	Remark	Tolerances	Date	Revised		福州创安光电科技有限公司 FUZHOU CHUANGAN OPTICS CO., LTD
4:1	X	±0.2	2023-04-21	CH3923A Rev1.0		
	X.0	±0.15				
Units	X.00	±0.10	Design	Linda	2023-03-16	
	X.000	±0.001	Checked	Anna	2023-03-24	
mm	Angle	±0.5°	Approval	Sanmu	2023-04-16	

