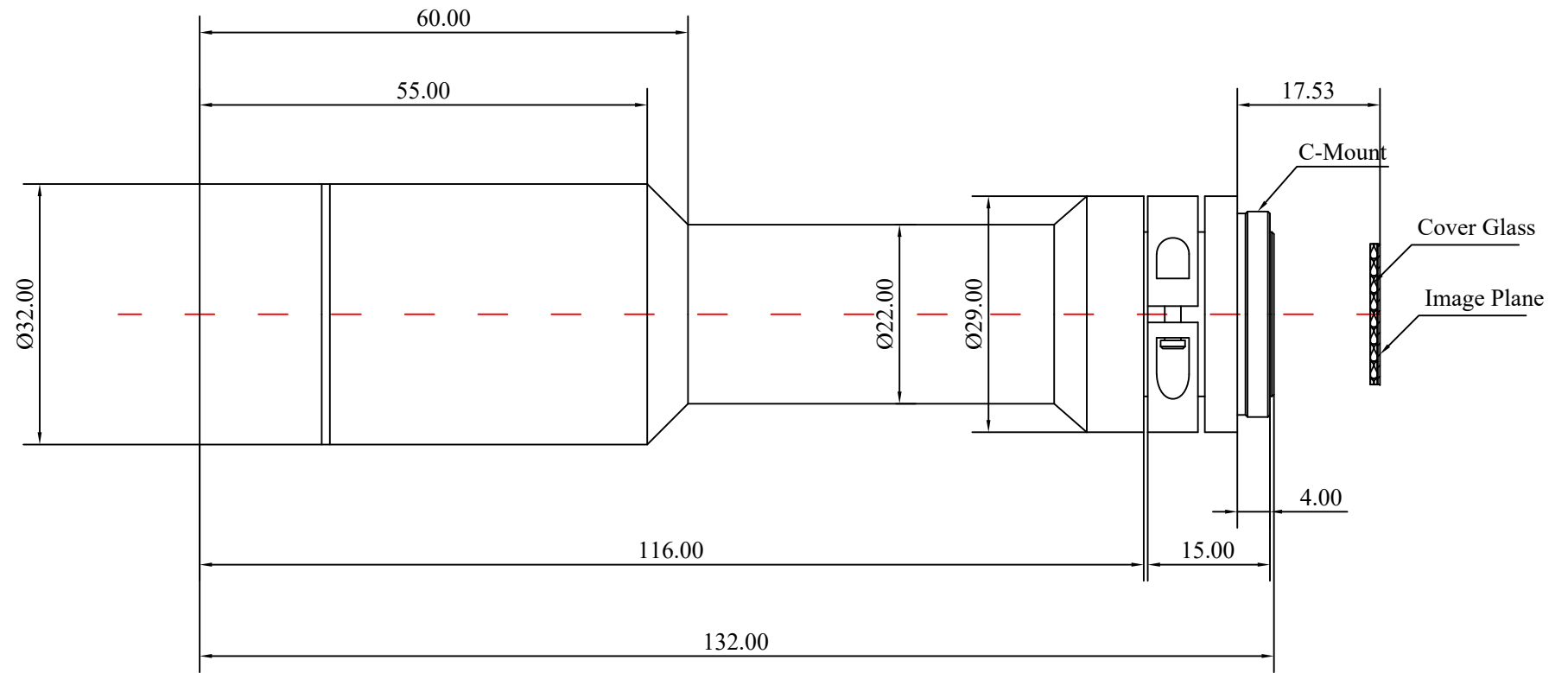


1	Type	Telecentric Lens
2	Optical Structure	Bi-Telecentric
3	Image Format	2/3"
4	Magnification	1.0X
5	F/NO.	F8.0
6	FFL (M)	17.53mm
7	Object Plane F.O.V	Ø11.00mm
8	Image Plane F.O.V	Ø11.00mm
9	Working Distance	110mm
10	Telecentricity	<0.06°
11	Depth Of Field	1.5mm
12	Resolution	3um
13	MTF	>0.4@100lp/mm
14	OPT Distortion	<-0.01%
15	Mount Type	C-Mounts



16	Dimension	Ø32.0mm*L132mm	Scale	Remark	Tolerances	Date	Revised		福州创安光电科技有限公司 FUZHOU CHUANGAN OPTICS CO., LTD
17	Weight	150g		4:1	X	±0.2	2023-09-13	CH3921A Rev1.0	
18	Operating Temperature	-20°~+85°	Units	X.00	±0.10	Design	Linda	2020-05-10	
19	Storage Temperature	-20°~+85°	mm	X.000	±0.001	Checked	Anna	2020-06-08	
				Angle	±0.5°	Approval	Sanmu	2020-06-13	

