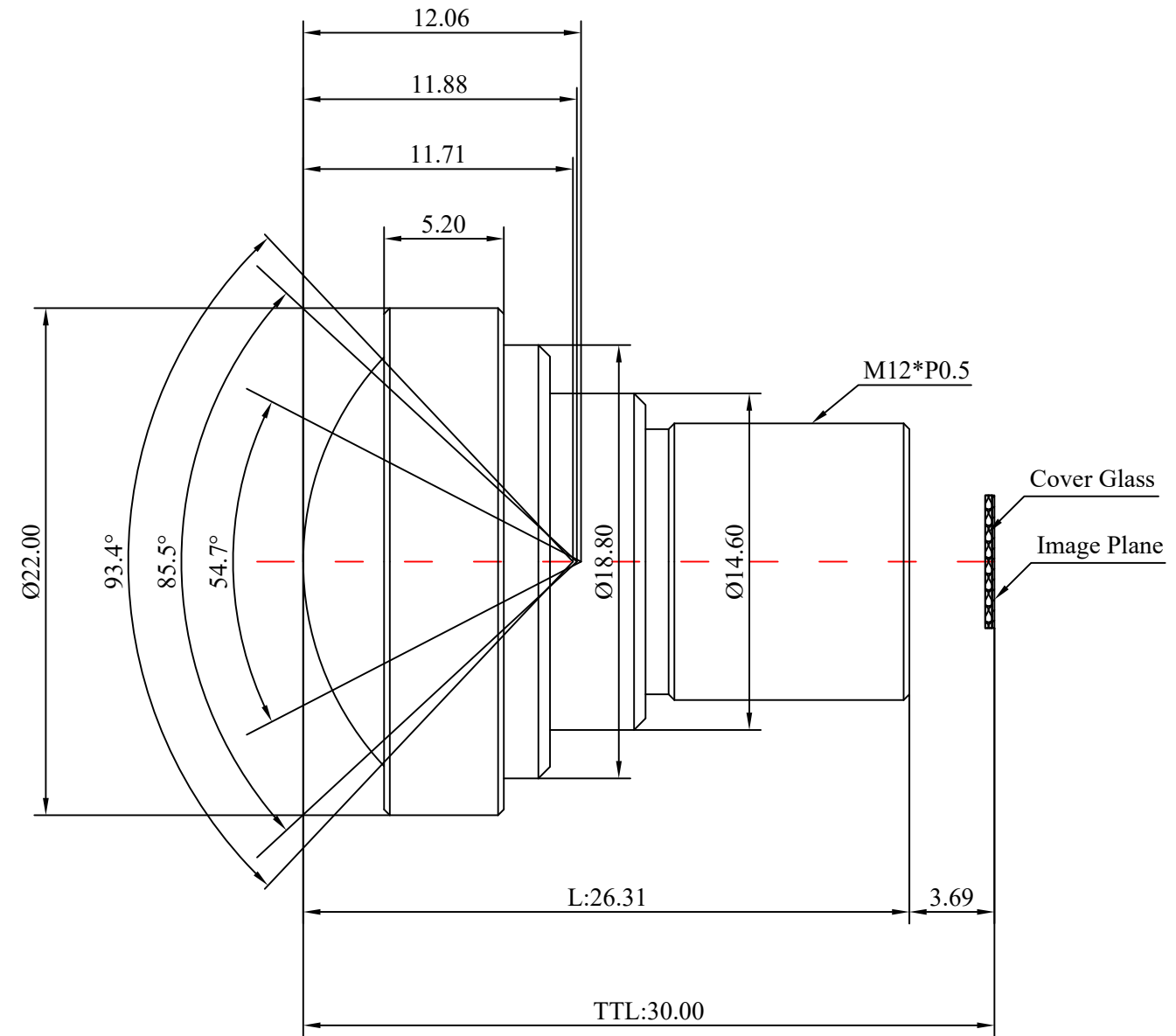
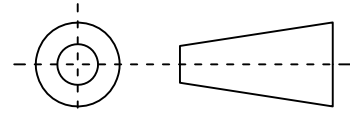


1	Type	M12 Lens	
2	Resolution	8MP	
3	Image Format	1/1.7"	
4	Image Circle	φ9.8mm(MAX)	
5	EFL	4.2mm	
6	TTL	30.0mm	
7	F/NO.	F1.8	
8	FFL (M)	3.69mm	
9	BFL (O)	4.85mm	
10	For Sensor	1/1.8" IMX334	
11	F.O.V	Horizontal	85.5°
12		Vertical	54.7°
13		Diagonal	93.4°
14	TV Distortion	<-0.62%	
15	Relative Ill.	>66.54%	
16	Chief Ray Angle	<15°	
17	M.O.D	0.1m~∞	
18	Mount Type	M12*P0.5	
19	Dimension Figure	φ22.00*L26.31mm	
20	Lens Structure	4G4P	
21	IR-Filter	Non-IR	
22	Waterproof	No	
23	Weight	---	
24	Iris Operation	Fixed	
25	Zoom Operation	Fixed	
26	Focus Operation	Manual	
27	Operating Temperature	-20° ~+85°	
28	Storage Temperature	-20° ~+85°	



Scale	Remark	Tolerances	Date	Revised		福州创安光电科技有限公司 FUZHOU CHUANGAN OPTICS CO., LTD
4:1	X	±0.2	2023-07-19	CH3896A Rev1.0		
	X.0	±0.15				
Units	X.00	±0.10	Design	Linda	2023-05-23	 3D Angle Projection
	X.000	±0.001	Checked	Anna	2023-06-06	
mm	Angle	±0.5°	Approval	Sanmu	2023-06-29	