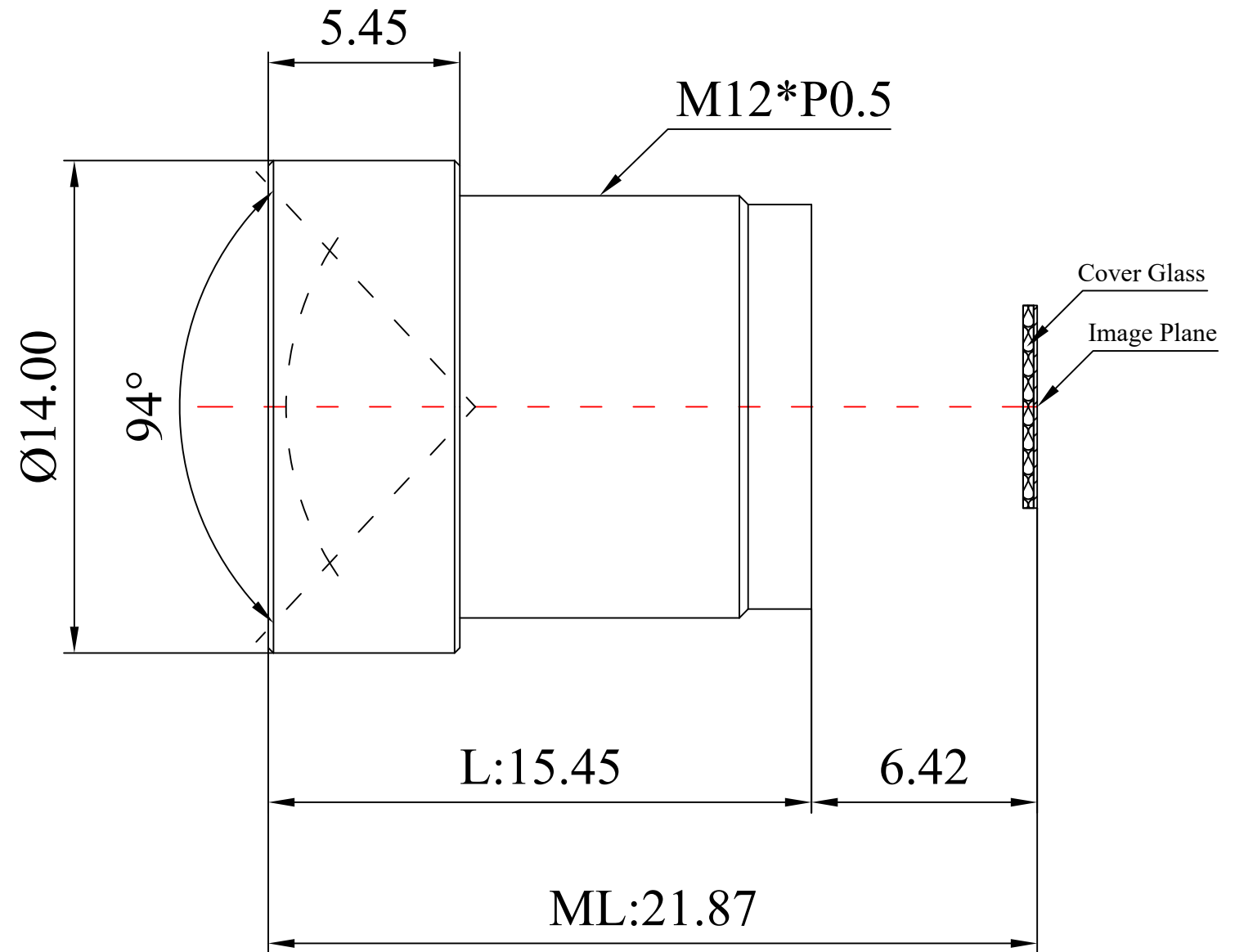
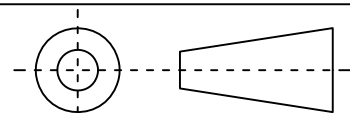


1	Type	Low Distortion Lens			
2	Resolution	8MP			
3	Image Format	1/1.8"			
4	Image Circle	φ9.6mm(MAX)			
5	EFL	4.11mm			
6	ML	21.87mm			
7	F/NO.	F3.0			
8	FFL (M)	6.42mm			
9	BFL (O)	7.00mm			
10	For Sensor	IMX334	IMX377	OV2710	
11	F.O.V	Horizontal	86°	74°	70°
12		Vertical	56°	54°	43°
13		Diagonal	94°	87°	78°
14	OPT Distortion	<-1% (H)	<-1% (H)	<-1% (H)	
15	Relative Ill.	>65%			
16	Chief Ray Angle	<11°			
17	M.O.D	0.1m~∞			
18	Mount Type	M12*P0.5			
19	Dimension Figure	φ14.0*L15.45mm			
20	Lens Structure	3G2P			
21	IR-Filter	Non-IR			
22	Weight	---			
23	Iris Operation	Fixed			
24	Zoom Operation	Fixed			
25	Focus Operation	Manual			
26	Operating Temperature	-15° ~+65°			
27	Storage Temperature	-15° ~+65°			



Scale	Remark	Tolerances	Date	Revised		福州创安光电科技有限公司 FUZHOU CHUANGAN OPTICS CO., LTD
4: 1	X	± 0.2	2021-09-29	CH3749A Rev1.0		
	X.0	± 0.15				
Units	X.00	± 0.10	Design	Linda	2021-08-23	 3D Angle Projection
	X.000	± 0.001	Checked	Anna	2021-09-18	
mm	Angle	± 0.5°	Approval	Sanmu	2021-09-25	