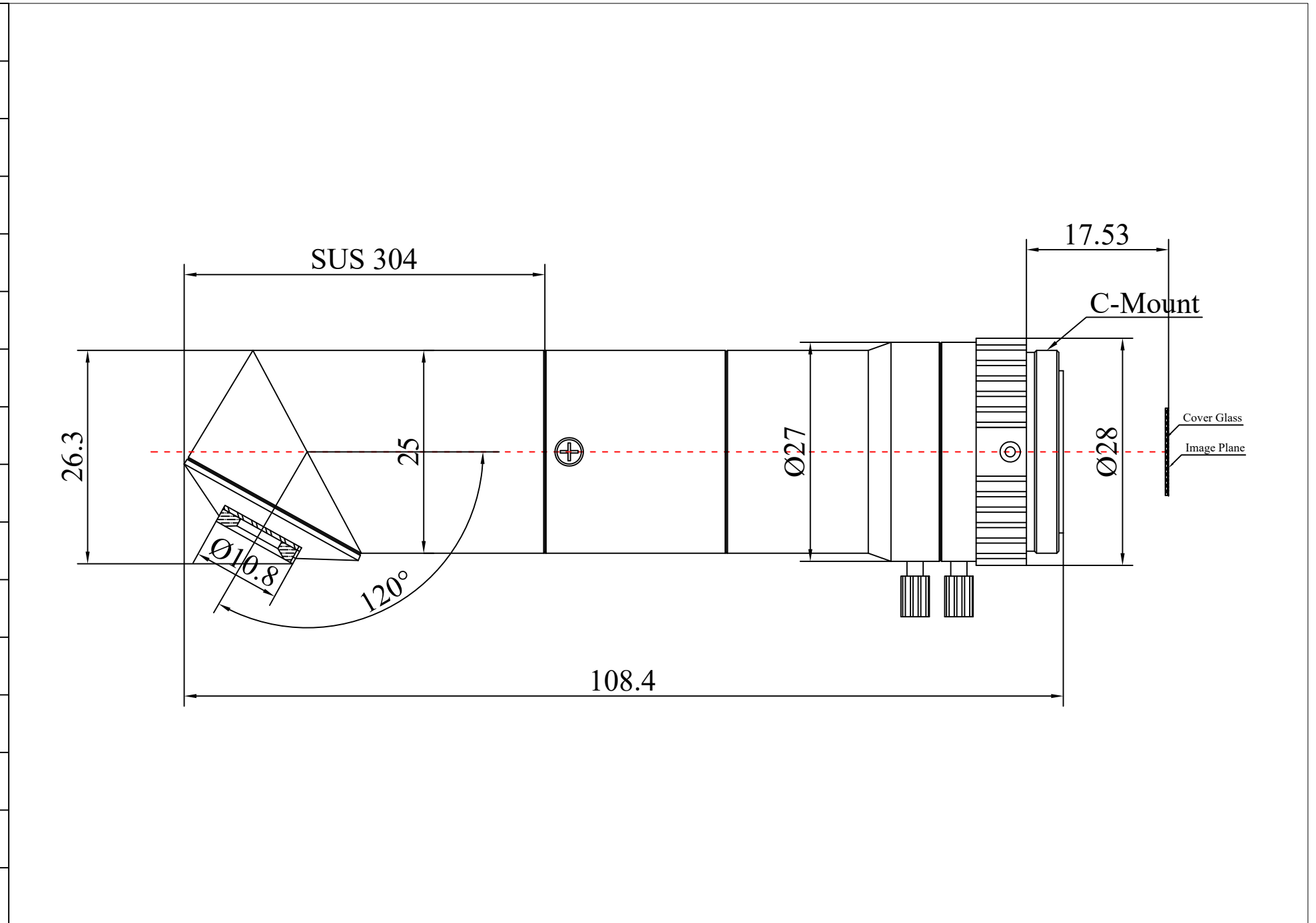


1	Type	Special Lens
2	EFL	4-20mm
3	F.NO	4.0
4	Resolution	2MP
5	Image Format	1/2.7"
6	BFL (O)	17.53mm
7	For Sensor	1/2.7"
8	F.O.V	H ---
9		V ---
10		D 67°-19.7°
11	TV Distortion	<-1%
12	M.O.D	0.1m
13	Mount Type	C/CS
14	Dimension Figure	φ25.0*L108.4mm
15	Filter Size	---
16	Weight	164g



		Scale	Remark	Tolerances	Date	Revised		福州创安光电科技有限公司 FUZHOU CHUANGAN OPTICS CO., LTD
17	Iris Operation	Manual	X	±0.2	2021-07-20	CH3746B Rev1.0		
18	Zoom Operation	Fixed						
19	Focus Operation	Manual	X.0	±0.15				
20	Operating Temperature	-50° + 200°	Units	X.00	±0.10	Design	Linda	2021-05-30
				X.000	±0.001	Checked	Anna	2021-06-03
21	Storage Temperature	-50° + 200°	mm	Angle	±0.5°	Approval	Sanmu	2021-07-19

