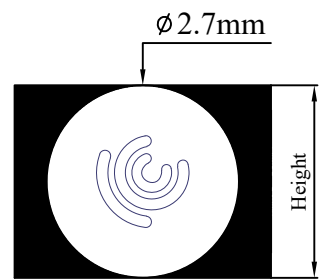
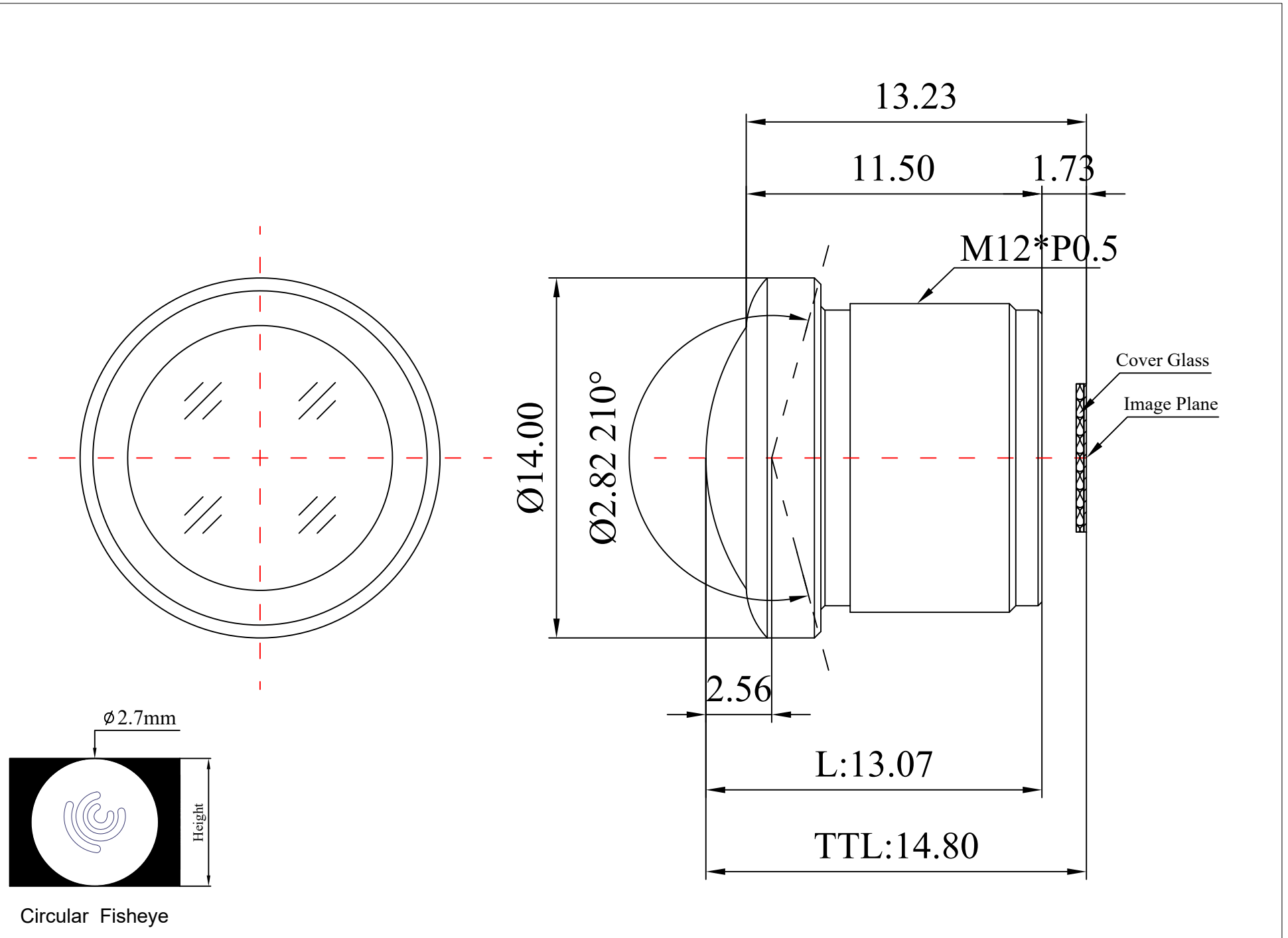
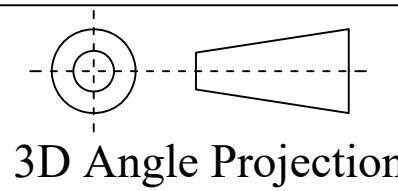


1	Type	Fisheye Lens		
2	Resolution	5MP		
3	Image Format	1/2.9"		
4	Image Circle	φ2.7mm(V-MAX)		
5	EFL	0.97mm		
6	TTL	14.8mm		
7	F/NO.	F2.8		
8	FFL (M)	1.73mm		
9	BFL (O)	2.90mm		
10	For Sensor	Ø2.6	Ø2.7	
11	F.O.V	Horizontal	192°	207°
12		Vertical	192°	207°
13		Diagonal	192°	207°
14	OPT Distortion	H:<-117%	H:<-136%	
15	Relative Ill.	>98%		
16	Chief Ray Angle	<12.6°		
17	M.O.D	0.1m~∞		
18	Mount Type	M12*P0.5		
19	Dimension Figure	φ14.0*L13.07mm		
20	Lens Structure	6G		
21	IR-Filter	IR650nm		



Circular Fisheye

22	Weight	---	Scale	Remark	Tolerances	Date	Revised		福州创安光电科技有限公司 FUZHOU CHUANGAN OPTICS CO., LTD
23	Iris Operation	Fixed		4: 1	X	± 0.2	2021-03-16	CH3741BA Rev1.0	
24	Zoom Operation	Fixed	Units		X.0	± 0.15			
25	Focus Operation	Manual		mm	X.00	± 0.10	Design	Linda	2021-01-19
26	Operating Temperature	-20° ~+85°	X.000		± 0.001	Checked	Anna	2021-02-12	
27	Storage Temperature	-20° ~+85°	Angle		± 0.5°	Approval	Sanmu	2021-03-10	



3D Angle Projection