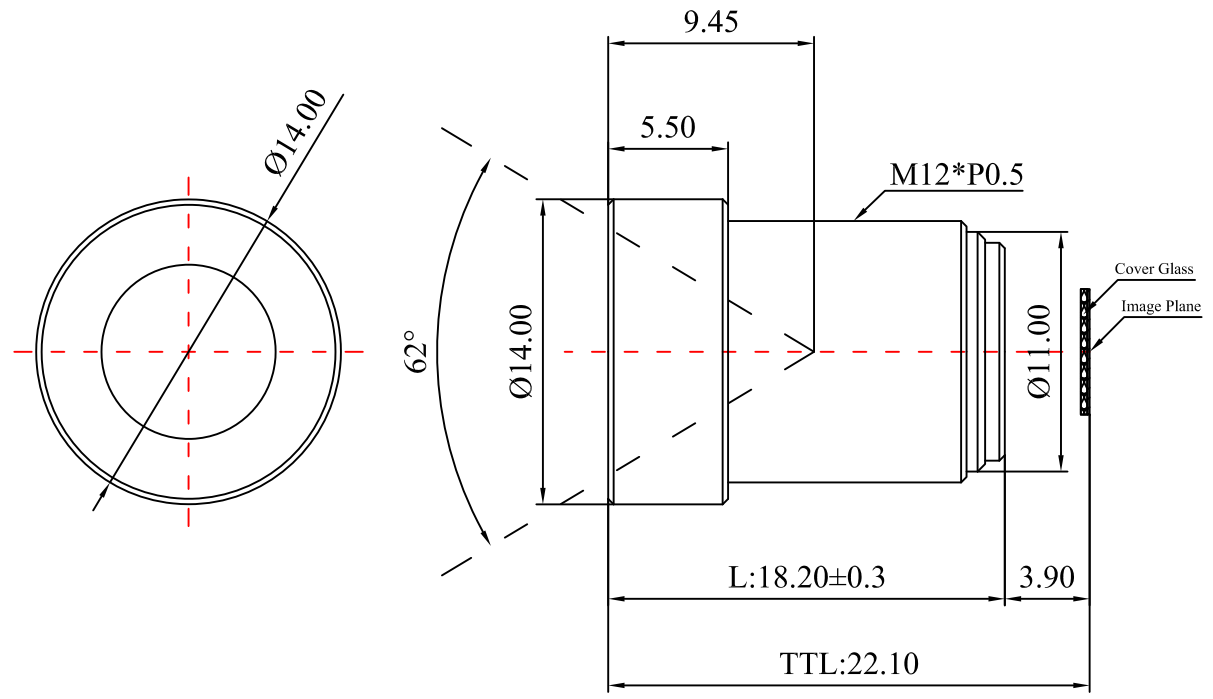
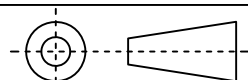


1	Type	Low Distortion Lens	
2	Resolution	10MP	
3	Image Format	1/2.3"	
4	Image Circle	φ8.0mm(MAX)	
5	EFL	6.5mm	
6	TTL	22.1mm	
7	F/NO.	F5.6	
8	FFL (M)	3.90mm	
9	BFL (O)	4.15mm	
10	For Sensor	1/2.3"	
11	F.O.V	Horizontal	48.2°
12		Vertical	37.5°
13		Diagonal	62°
14	OPT Distortion	<-1.0%	
15	Relative Ill.	>50%	
16	Chief Ray Angle	<13.5°	
17	M.O.D	0.1m~∞	
18	Mount Type	M12*P0.5	
19	Dimension Figure	φ14.0*L18.20mm	
20	Lens Structure	3G2P	
21	IR-Filter	Non IR	
22	Weight	3.0g	
23	Iris Operation	Fixed	
24	Zoom Operation	Fixed	
25	Focus Operation	Manual	
26	Operating Temperature	-10° ~+65°	
27	Storage Temperature	-10° ~+65°	



Scale	Remark	Tolerances	Date	Revised	
4: 1	X	± 0.2	2020-12-07	CH3740B Rev1.0	
	X.0	± 0.15			
Units	X.00	± 0.10	Design	Linda	2018-03-11
mm	X.000	± 0.001	Checked	Anna	2018-04-12
	Angle	± 0.5°	Approval	Sanmu	2018-08-10

福州创安光电科技有限公司
FUZHOU CHUANGAN OPTICS CO., LTD



3D Angle Projection