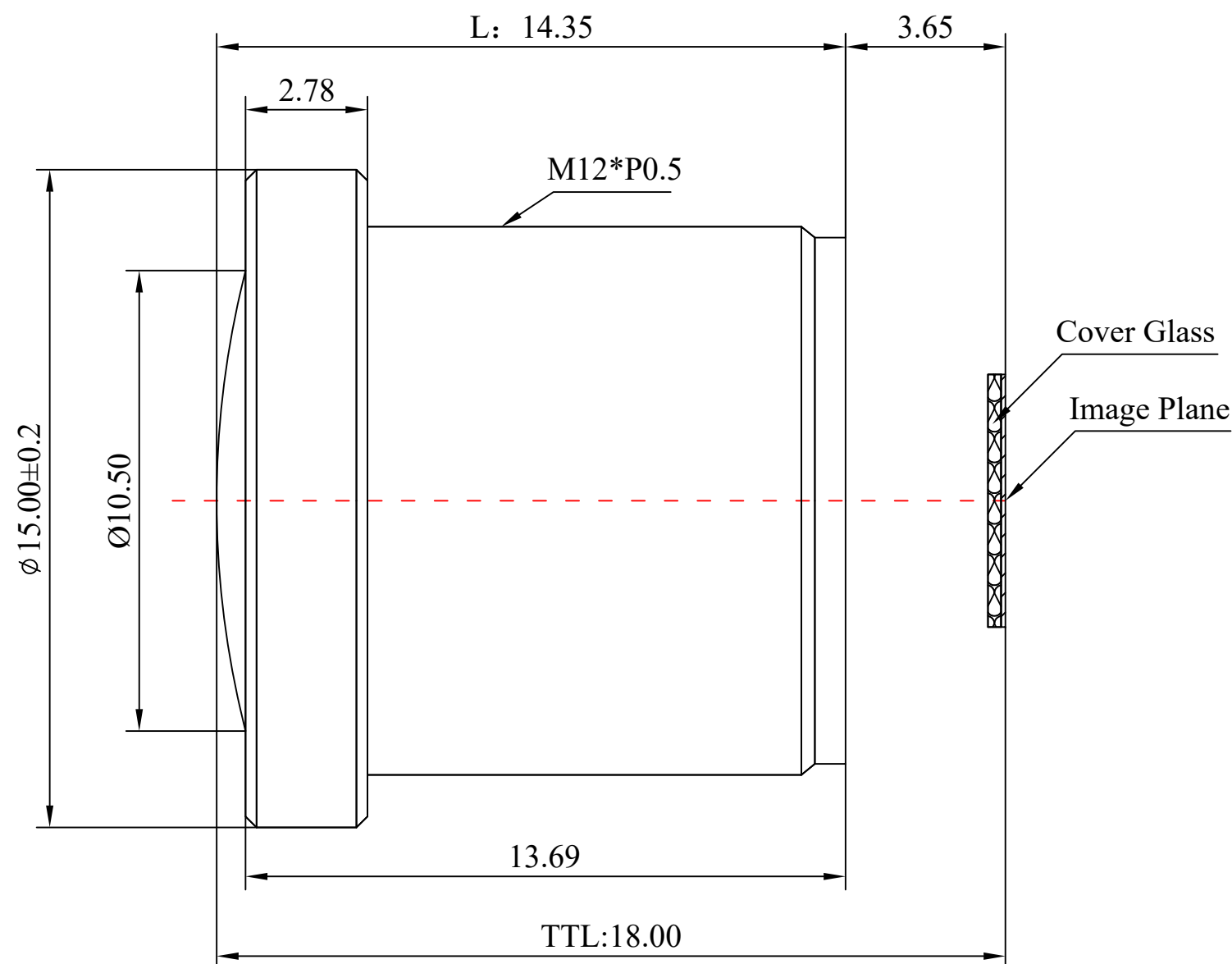
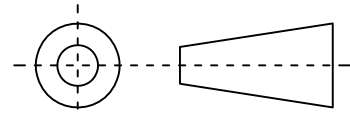


1	Type	Wide Angle Lens	
2	Resolution	MP	
3	Image Format	1/3"&1/4"	
4	Image Circle	φ6.7mm(MAX)	
5	EFL	2.33mm	
6	TTL	18.00mm	
7	F/NO.	2.5	
8	FFL (M)	3.65mm	
9	BFL (O)	4.53mm	
10	For Sensor	1/3"	
11	F.O.V	Horizontal	133.1°
12		Vertical	69.3°
13		Diagonal	161.4°
14	TV Distortion	<-20%	
15	Relative Ill.	>85%	
16	Chief Ray Angle	<12.5°	
17	M.O.D	0.1m~∞	
18	Mount Type	M12*P0.5	
19	Dimension Figure	φ15.00*L14.35mm	
20	Lens Structure	6G	
21	IR-Filter	Non-IR	
22	Waterproof	No	
23	Weight	5g	
24	Iris Operation	Fixed	
25	Zoom Operation	Fixed	
26	Focus Operation	Manual	
27	Operating Temperature	-20° ~+85°	
28	Storage Temperature	-20° ~+85°	



Scale	Remark	Tolerances	Date	Revised		福州创安光电科技有限公司 FUZHOU CHUANGAN OPTICS CO., LTD
4:1	X	±0.2	2019-07-22	CH373A Rev1.0		
	X.0	±0.15				
Units	X.00	±0.10	Design	Linda	2015-05-26	 3D Angle Projection
	X.000	±0.001	Checked	Anna	2015-07-20	
mm	Angle	±0.5°	Approval	Sanmu	2015-07-20	