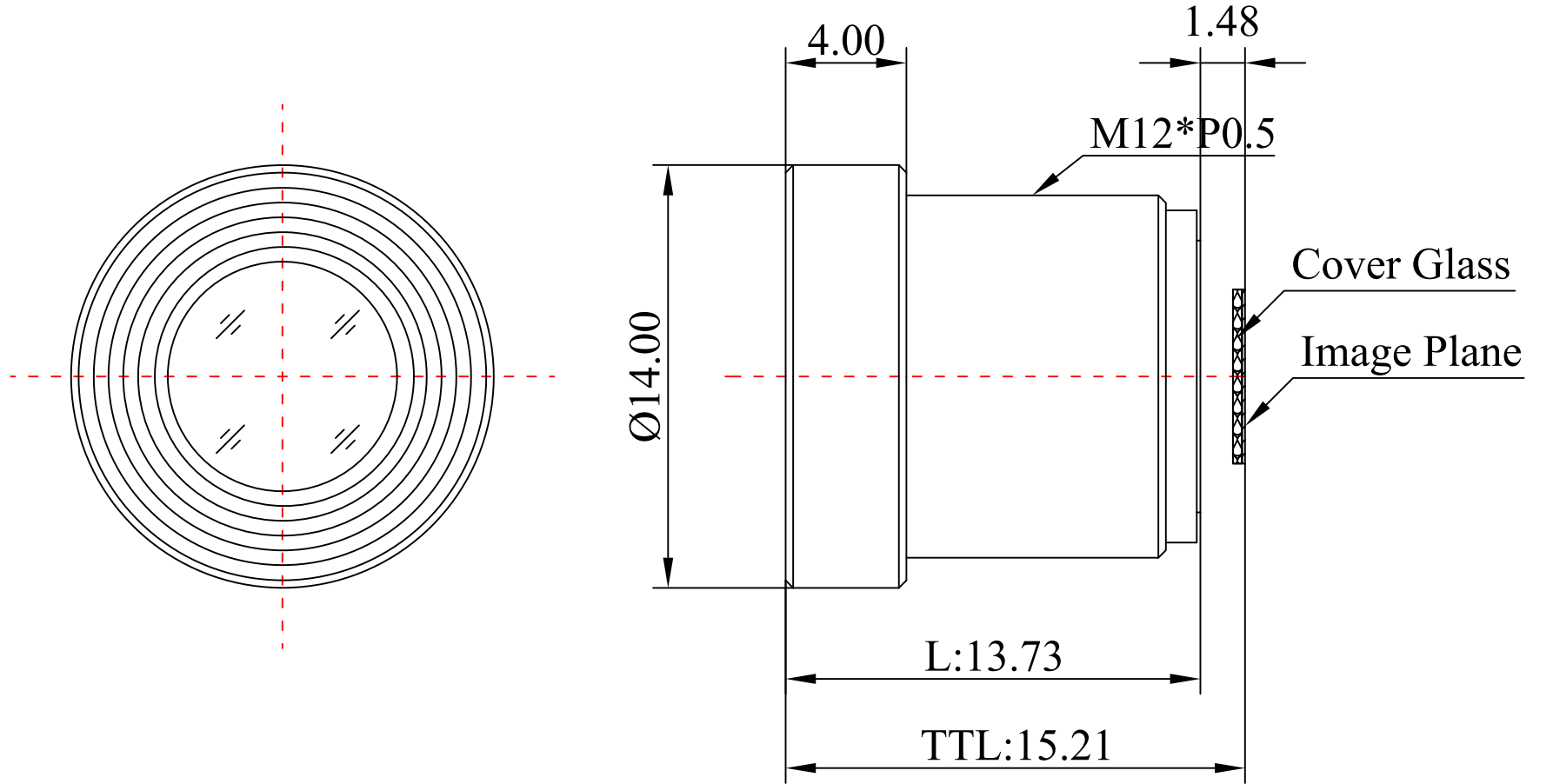
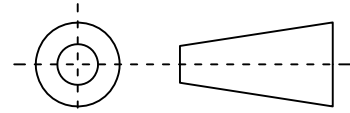


| | | | | | |
|----|-----------------------|----------------|---------|---------|-------|
| 1 | Type | ToF Lens | | | |
| 2 | Resolution | 5MP | | | |
| 3 | Image Format | 1/3" | | | |
| 4 | Image Circle | φ6.4mm(MAX) | | | |
| 5 | EFL | 2.47mm | | | |
| 6 | TTL | 15.21mm | | | |
| 7 | F/NO. | 1.2 | | | |
| 8 | FFL (M) | 1.48mm | | | |
| 9 | BFL (O) | 1.76mm | | | |
| 10 | For Sensor | OPT8241 | MN34906 | OPT8320 | |
| 11 | F.O.V | Horizontal | 91.8° | 69.5° | 48.9° |
| 12 | | Vertical | 69.8° | 54.0° | 38° |
| 13 | | Diagonal | 120.6° | 85.6° | 59.4° |
| 14 | OPT Distortion | <-31% | | | |
| 15 | Relative Ill. | >56% | | | |
| 16 | Chief Ray Angle | <13° | | | |
| 17 | M.O.D | 0.1m~∞ | | | |
| 18 | Mount Type | M12*P0.5 | | | |
| 19 | Dimension Figure | φ14.0*L13.73mm | | | |
| 20 | Lens Structure | 2G3P | | | |
| 21 | IR-Filter | IR850nm | | | |
| 22 | Waterproof | --- | | | |
| 23 | Weight | 3.1g | | | |
| 24 | Iris Operation | Fixed | | | |
| 25 | Zoom Operation | Fixed | | | |
| 26 | Focus Operation | Manual | | | |
| 27 | Operating Temperature | -20° ~+85° | | | |
| 28 | Storage Temperature | -20° ~+85° | | | |



| Scale | Remark | Tolerances | Date | Revised | | 福州创安光电科技有限公司 FUZHOU CHUANGAN OPTICS CO., LTD |
|-------|--------|------------|------------|----------------|------------|--|
| 4:1 | X | ±0.2 | 2021-06-03 | CH3728B Rev1.0 | | |
| | X.0 | ±0.15 | | | | |
| Units | X.00 | ±0.10 | Design | Linda | 2021-03-26 |  3D Angle Projection |
| | X.000 | ±0.001 | Checked | Anna | 2021-04-22 | |
| mm | Angle | ±0.5° | Approval | Sanmu | 2021-05-16 | |