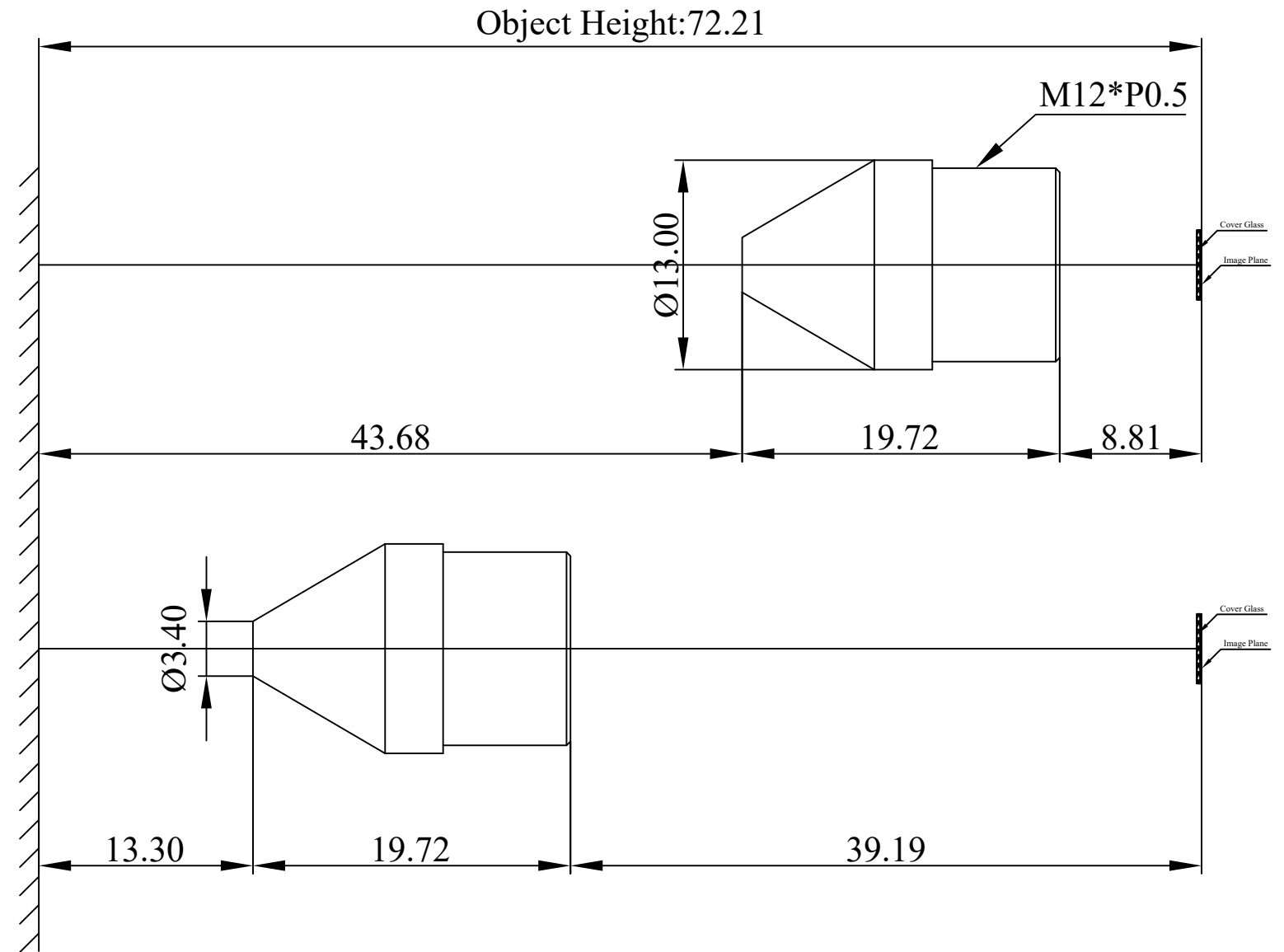


1	Type	Microscope Lens	
2	Resolution	1.3MP	
3	Image Format	1/3"-1/7"	
4	Image Circle	φ6.0mm(MAX)	
5	EFL	15.3mm	
6	TTL	---	
7	Object Height	2.3	
8	Magnification	---	
9	FFL (M)	39.27mm	
10	For Sensor	---	
11	F.O.V	Horizontal	---
12		Vertical	---
13		Diagonal	---
14	TV Distortion	<-0.3%	
15	Relative Ill.	>97%	
16	Chief Ray Angle	<7°	
17	M.O.D	---	
18	Mount Type	M12*P0.5	
19	Dimension Figure	φ13.0*L19.72mm	
20	Lens Structure	2G	
21	IR-Filter	T=50%&IR650±10nm	
22	Waterproof	---	
23	Weight	3.7g	
24	Iris Operation	Fixed	
25	Zoom Operation	Fixed	
26	Focus Operation	Manual	
27	Operating Temperature	-20° ~+85°	
28	Storage Temperature	-20° ~+85°	

object



Scale	Remark	Tolerances	Date	Revised		福州创安光电科技有限公司 FUZHOU CHUANGAN OPTICS CO., LTD
4:1	X	±0.2	2020-06-11	CH3710A Rev1.0		
	X.0	±0.15				
Units	X.00	±0.10	Design	Linda	2020-03-26	
	X.000	±0.001	Checked	Anna	2020-04-20	
mm	Angle	±0.5°	Approval	Sanmu	2020-05-13	

