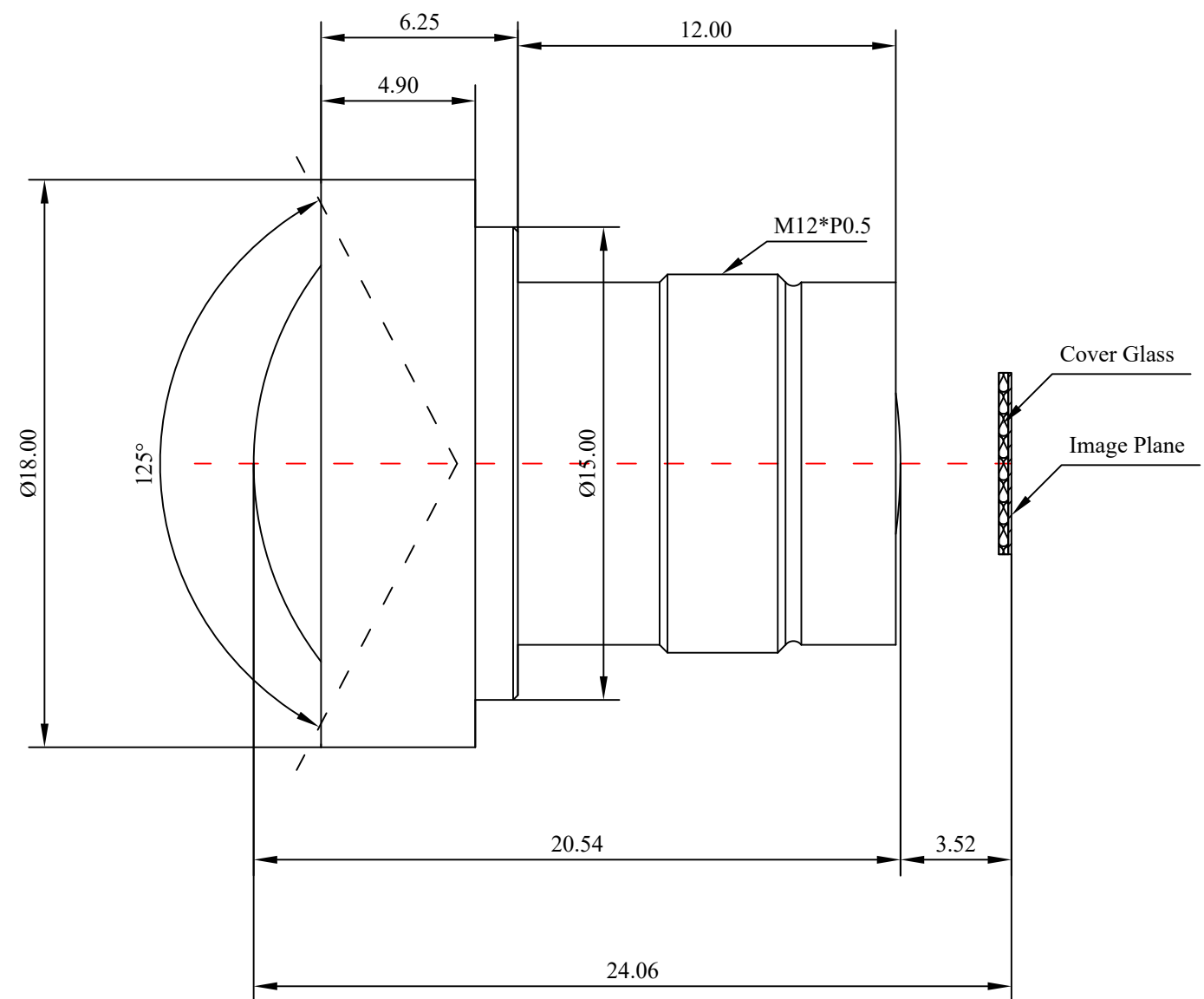


1	Type	Low Distortion Lens	
2	Resolution	8.46MP	
3	Image Format	1/2.8"	
4	Image Circle	φ7.2mm(MAX)	
5	EFL	1.95mm	
6	TTL	24.06mm	
7	F/NO.	2.4	
8	FFL (M)	3.52mm	
9	BFL (O)	3.61mm	
10	For Sensor	IMX415	
11	F.O.V	Horizontal	115°
12		Vertical	80°
13		Diagonal	125°
14	OPT Distortion	H:<-5% D:-10%	
15	Relative Ill.	>56%	
16	Chief Ray Angle	<6.5°	
17	M.O.D	0.1m~∞	
18	Mount Type	M12*P0.5	
19	Dimension Figure	φ18.0*L20.54mm	
20	Lens Structure	7G2MO	
21	IR-Filter	Non-IR	
22	Waterproof	No	
23	Weight	7.6g	
24	Iris Operation	Fixed	
25	Zoom Operation	Fixed	
26	Focus Operation	Manual	
27	Operating Temperature	-20° ~+85°	
28	Storage Temperature	-20° ~+85°	



Scale	Remark	Tolerances	Date	Revised		福州创安光电科技有限公司 FUZHOU CHUANGAN OPTICS CO., LTD
4:1	X	±0.2	2022-07-04	CH3705A Rev1.1		
	X.0	±0.15				
Units	X.00	±0.10	Design	Linda	2020-05-10	
	X.000	±0.001	Checked	Anna	2020-06-08	
mm	Angle	±0.5°	Approval	Sanmu	2020-06-13	

