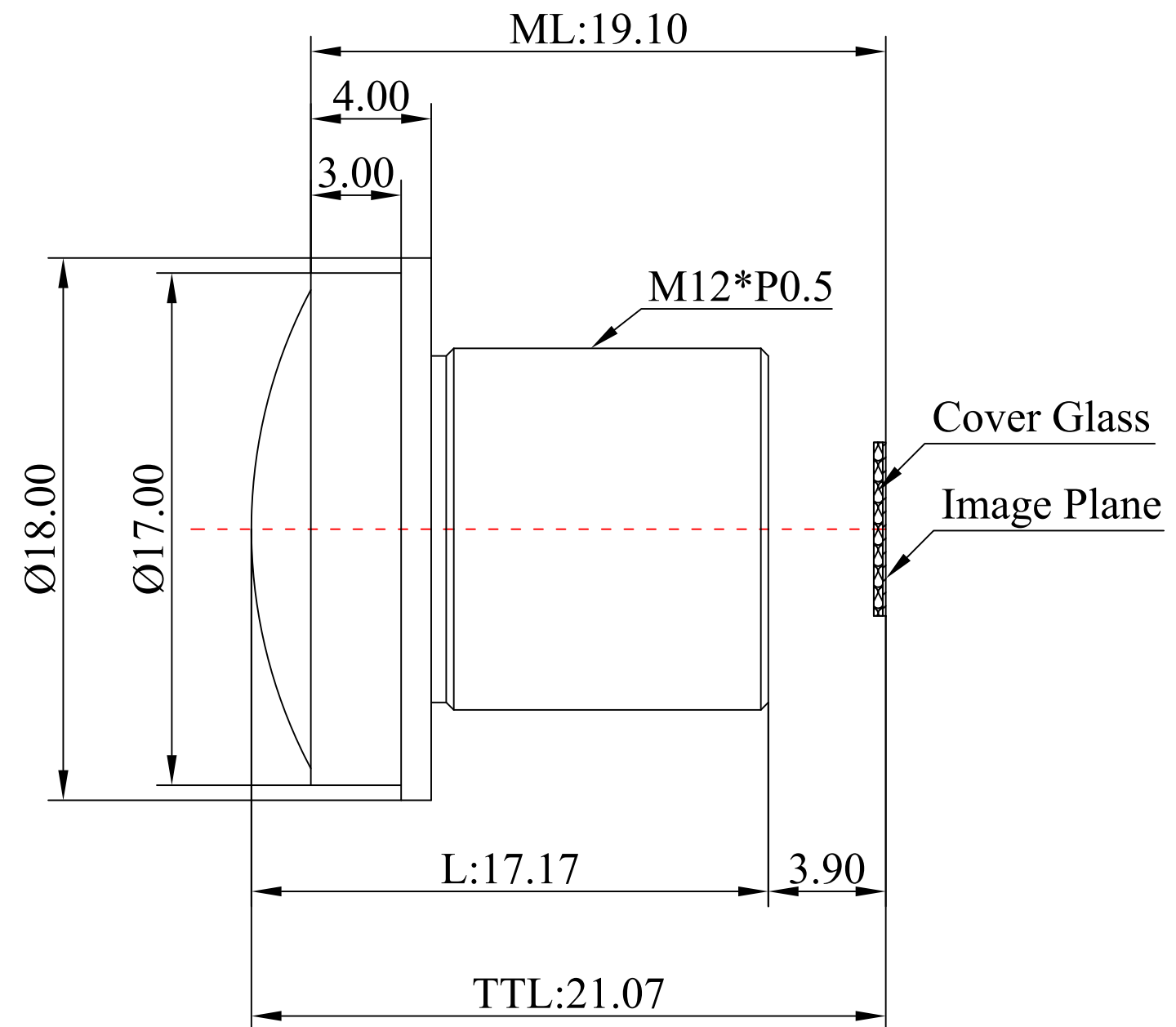
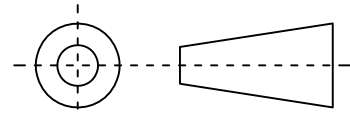


1	Type	Wide Angle Lens	
2	Resolution	5MP	
3	Image Format	1/4"	
4	Image Circle	φ4.5mm(MAX)	
5	EFL	1.37mm	
6	TTL	21.07mm	
7	F/NO.	2.3	
8	FFL (M)	3.9mm	
9	BFL (O)	4.15mm	
10	For Sensor	1/4"	
11	F.O.V	Horizontal	158°
12		Vertical	115°
13		Diagonal	198°
14	TV Distortion	<-75%	
15	Relative Ill.	>90%	
16	Chief Ray Angle	<14°	
17	M.O.D	0.1m~∞	
18	Mount Type	M12*P0.5	
19	Dimension Figure	φ18.0*L17.17mm	
20	Lens Structure	6G	
21	IR-Filter	T=50%&IR650±10nm	
22	Waterproof	IP69	
23	Weight	---	
24	Iris Operation	Fixed	
25	Zoom Operation	Fixed	
26	Focus Operation	Manual	
27	Operating Temperature	-20° ~+85°	
28	Storage Temperature	-20° ~+85°	



Scale	Remark	Tolerances	Date	Revised		福州创安光电科技有限公司 FUZHOU CHUANGAN OPTICS CO., LTD
4:1	X	±0.2	2021-08-04	CH3698A Rev1.0		
	X.0	±0.15				
Units	X.00	±0.10	Design	Linda	2020-03-26	 3D Angle Projection
	X.000	±0.001	Checked	Anna	2020-04-20	
mm	Angle	±0.5°	Approval	Sanmu	2020-05-13	