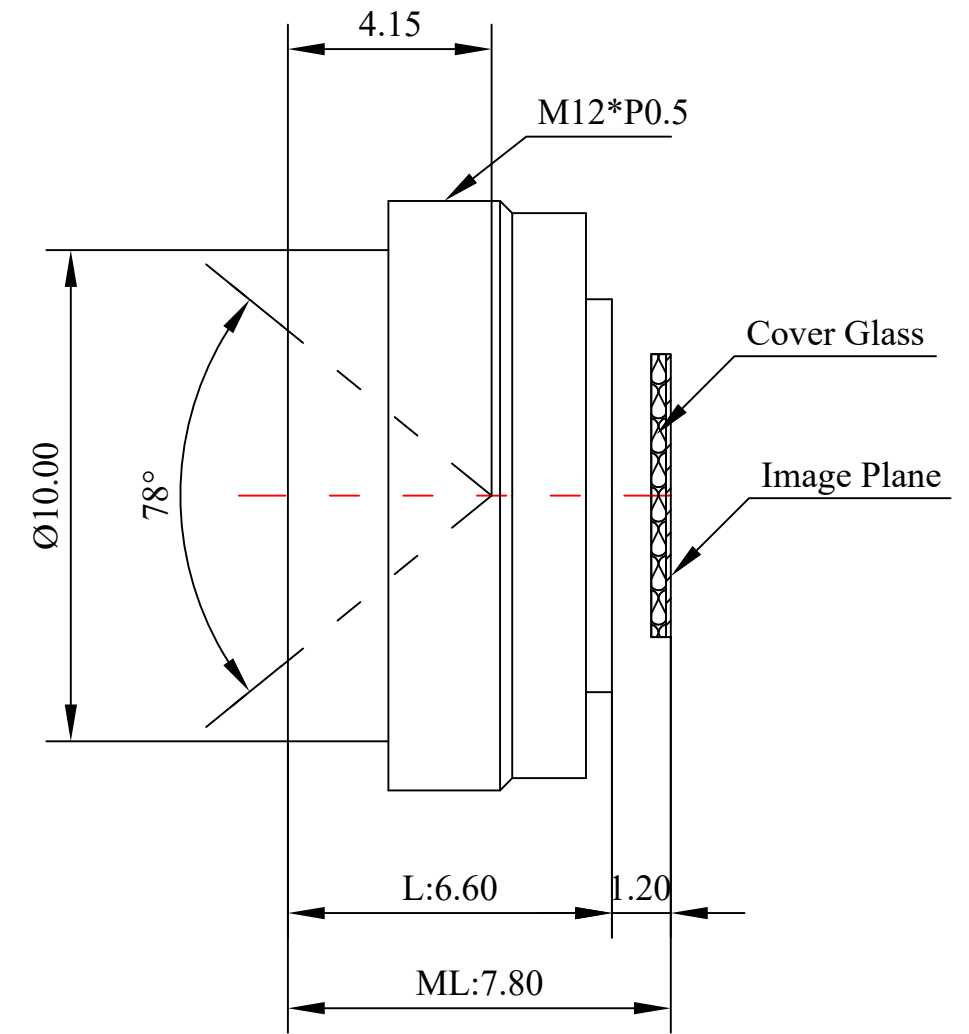
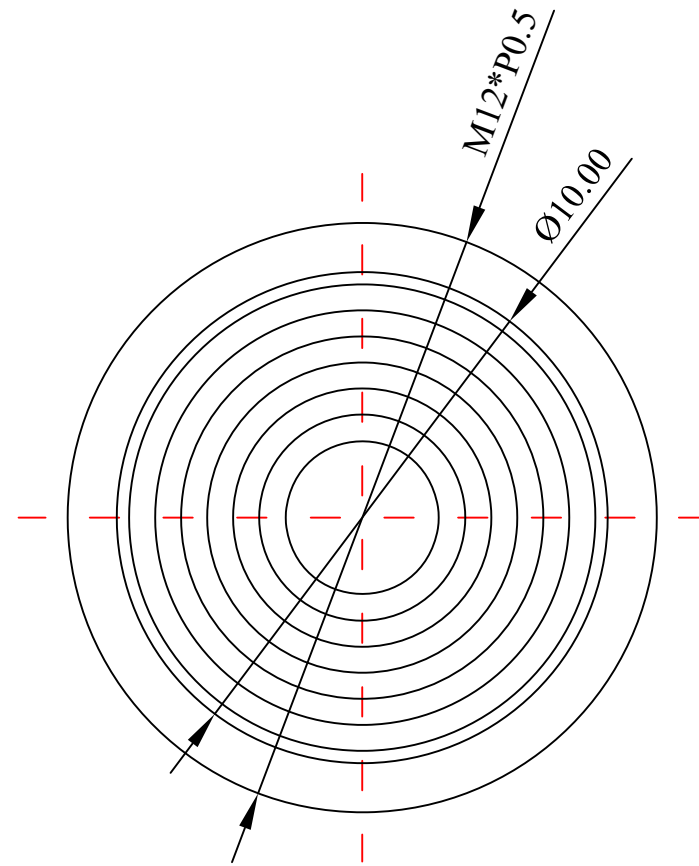


1	Type	Low Distortion Lens	
2	Resolution	20MP	
3	Image Format	1/2.3"	
4	Image Circle	φ8.0mm(MAX)	
5	EFL	4.8mm	
6	ML	7.8mm	
7	F/NO.	1.8	
8	FFL (M)	1.20mm	
9	BFL (O)	1.60mm	
10	For Sensor	1/2.3"	
11	F.O.V	Horizontal	68°
12		Vertical	48°
13		Diagonal	78°
14	OPT Distortion	<-1%	
15	Relative Ill.	>63%	
16	Chief Ray Angle	<34.8°	
17	M.O.D	0.1m~∞	
18	Mount Type	M12*P0.5	
19	Dimension Figure	φ12*L6.6mm	
20	Lens Structure	5E	
21	IR-Filter	T=50%&IR650±10nm	
22	Waterproof	No	
23	Weight	---	
24	Iris Operation	Fixed	
25	Zoom Operation	Fixed	
26	Focus Operation	Manual	
27	Operating Temperature	-10° ~+45°	
28	Storage Temperature	-10° ~+45°	



Scale	Remark	Tolerances	Date	Revised		福州创安光电科技有限公司 FUZHOU CHUANGAN OPTICS CO., LTD
4:1	X	±0.2	2022-03-31	CH3696HB Rev1.0		
	X.0	±0.15				
Units	X.00	±0.10	Design	Linda	2020-03-26	
	X.000	±0.001	Checked	Anna	2020-04-20	
mm	Angle	±0.5°	Approval	Sanmu	2020-05-13	

