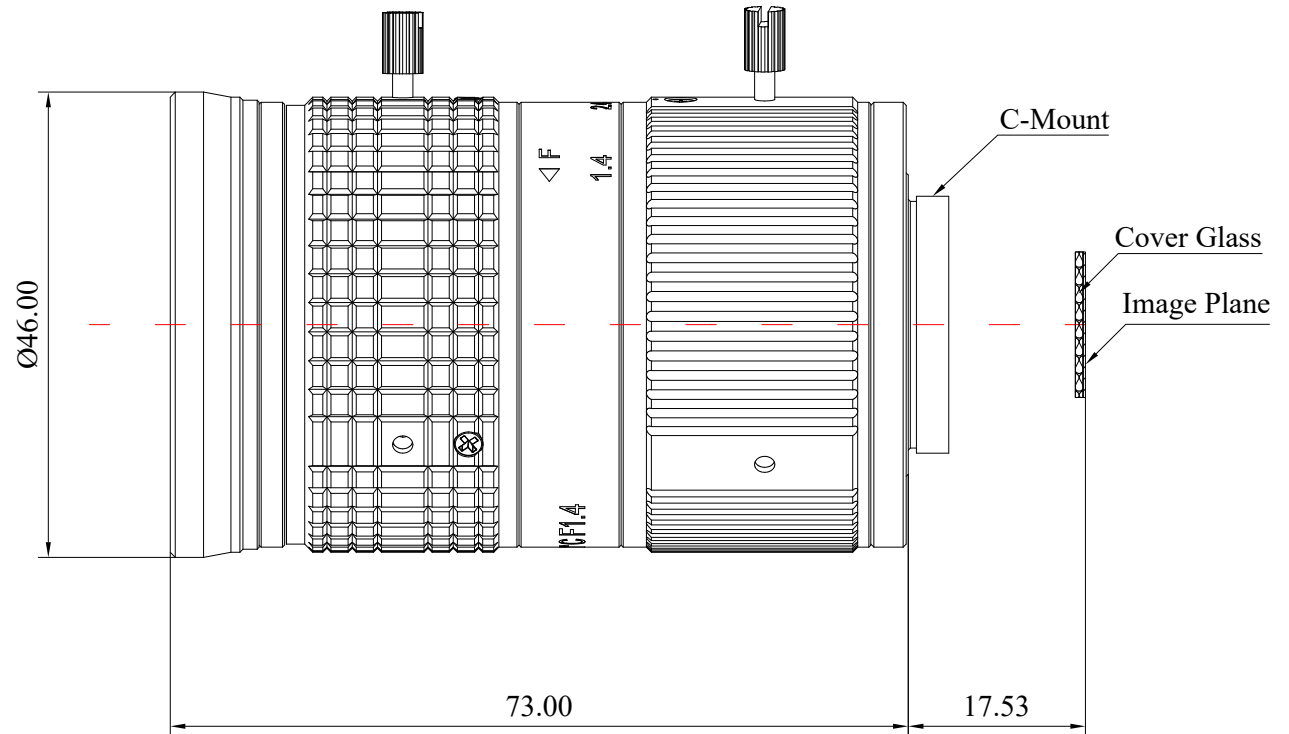
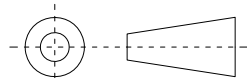


1	Type	ITS Lens		
2	Resolution	12MP		
3	Image Format	1.1"		
4	Image Circle	φ17.6mm(MAX)		
5	EFL	25mm		
6	Flange BFL	17.53mm		
7	F/NO.	F1.4		
8	FFL (M)	17.53mm		
9	BFL (O)	18.96mm		
10	For Sensor	1.1" (16:11)	1" (4:3)	
11	F.O.V	Horizontal	33.4°	29.5°
12		Vertical	22.7°	22°
13		Diagonal	40.8°	37.1°
14	OPT Distortion	<-6.2%@y=8.8mm		
15	Relative Ill.	---		
16	Chief Ray Angle	<6.7%@y=8.8mm		
17	M.O.D	1.5m~∞		
18	Mount Type	C-Mount		
19	Dimension Figure	φ46*L73.0mm		
20	Lens Structure	---		
21	IR-Filter	---		
22	IR-Correction	Yes		
23	Weight	---		
24	Iris Operation	Manual		
25	Zoom Operation	Fixed		
26	Focus Operation	Manual		
27	Operating Temperature	-20° ~+85°		
28	Storage Temperature	-20° ~+85°		



Scale	Remark	Tolerances	Date	Revised		福州创安光电科技有限公司 FUZHOU CHUANGAN OPTICS CO., LTD
4:1	X	±0.2	2020-05-14	CH3684B Rev1.0		
Units	X.00	±0.10	Design	Linda	2018-03-13	 3D Angle Projection
	X.000	±0.001	Checked	Anna	2018-04-09	
mm	Angle	±0.5°	Approval	Sanmu	2018-04-19	