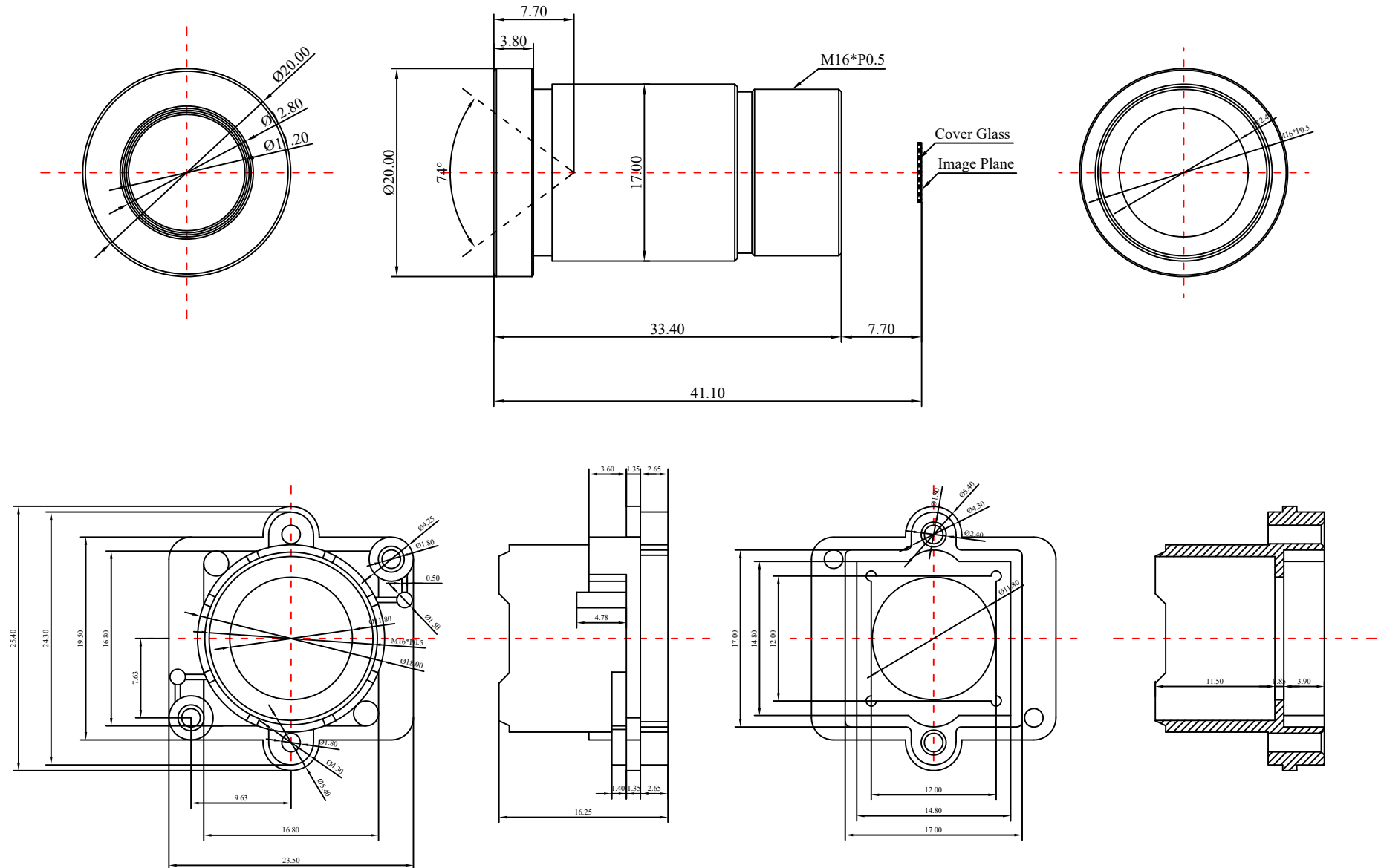
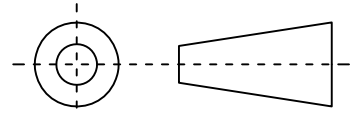


1	Type	Starlight Lens	
2	Resolution	3MP	
3	Image Format	1/2.7"	
4	Image Circle	φ6.8mm(MAX)	
5	EFL	6.0mm	
6	TTL	41.10mm	
7	F/NO.	1.0	
8	FFL (M)	7.7mm	
9	BFL (O)	---	
10	For Sensor	1/2.7" 16:9	1/2.7" 4:3
11	F.O.V	Horizontal	61°
12		Vertical	33°
13		Diagonal	74°
14	OPT Distortion	<-26%	
15	Relative Ill.	---	
16	Chief Ray Angle	---	
17	M.O.D	0.5m~∞	
18	Mount Type	M16*P0.5	
19	Dimension Figure	φ20.00*L33.40mm	
20	Lens Structure	---	
21	IR-Filter	Non-IR	
22	Waterproof	No	
23	Weight	16.0g	
24	Iris Operation	Fixed	
25	Zoom Operation	Fixed	
26	Focus Operation	Manual	
27	Operating Temperature	-20° ~+85°	
28	Storage Temperature	-20° ~+85°	



Scale	Remark	Tolerances	Date	Revised	
4:1	X	±0.2	2020-05-14	CH3672A Rev1.0	
	X.0	±0.15			
Units	X.00	±0.10	Design	Linda	2020-03-13
	X.000	±0.001	Checked	Anna	2020-04-09
mm	Angle	±0.5°	Approval	Sanmu	2020-04-19

福州创安光电科技有限公司  
 FUZHOU CHUANGAN OPTICS CO., LTD



3D Angle Projection