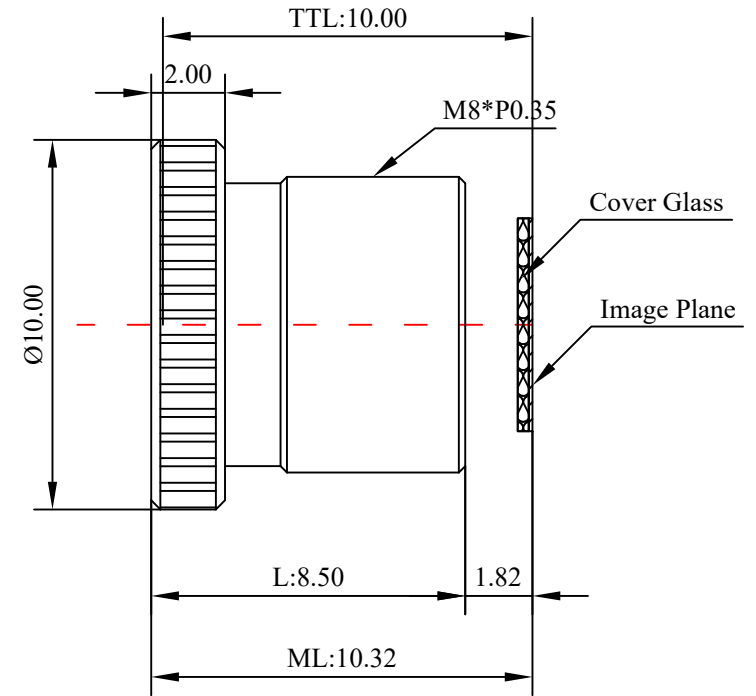
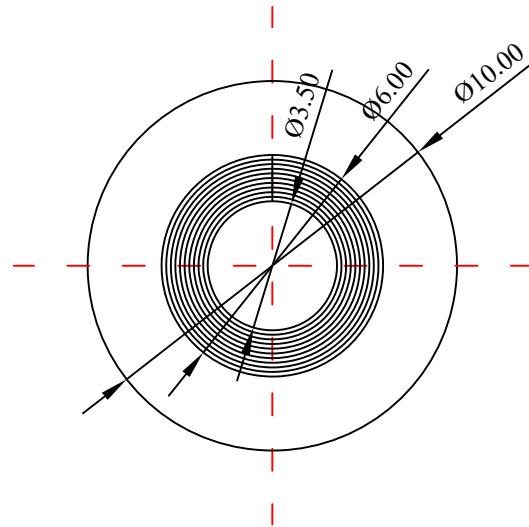
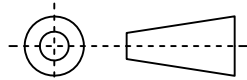


1	Type	Low Distortion Lens			
2	Resolution	5MP			
3	Image Format	1/2.7"			
4	Image Circle	φ6.8mm(MAX)			
5	EFL	6.0mm			
6	TTL	10.00mm			
7	F/NO.	2.0			
8	FFL (M)	1.82mm			
9	BFL (O)	3.72mm			
10	For Sensor	1/2.7"	1/3"	1/4"	
11	F.O.V	Horizontal	48.2°	40.1°	30.4°
12		Vertical	37.5°	30.4°	22.8°
13		Diagonal	62°	53°	39.7°
14	OPT Distortion	<-3.3%			
15	Relative Ill.	>50%			
16	Chief Ray Angle	<20°			
17	M.O.D	0.1m~∞			
18	Mount Type	M8*P0.35			
19	Dimension Figure	φ10.0*L8.50mm			
20	Lens Structure	4G			
21	IR-Filter	T=50%&IR650±10nm			
22	Waterproof	No			
23	Weight	Lens 1.2g			
24	Iris Operation	Fixed			
25	Zoom Operation	Fixed			
26	Focus Operation	Manual			
27	Operating Temperature	-20° ~+85°			
28	Storage Temperature	-20° ~+85°			



Scale	Remark	Tolerances	Date	Revised		福州创安光电科技有限公司 FUZHOU CHUANGAN OPTICS CO., LTD
4:1	X	±0.2	2021-03-01	CH3665EB Rev1.0		
Units	X.00	±0.10	Design	Linda	2020-03-26	 3D Angle Projection
	X.000	±0.001	Checked	Anna	2020-04-20	
mm	Angle	±0.5°	Approval	Sanmu	2020-05-13	