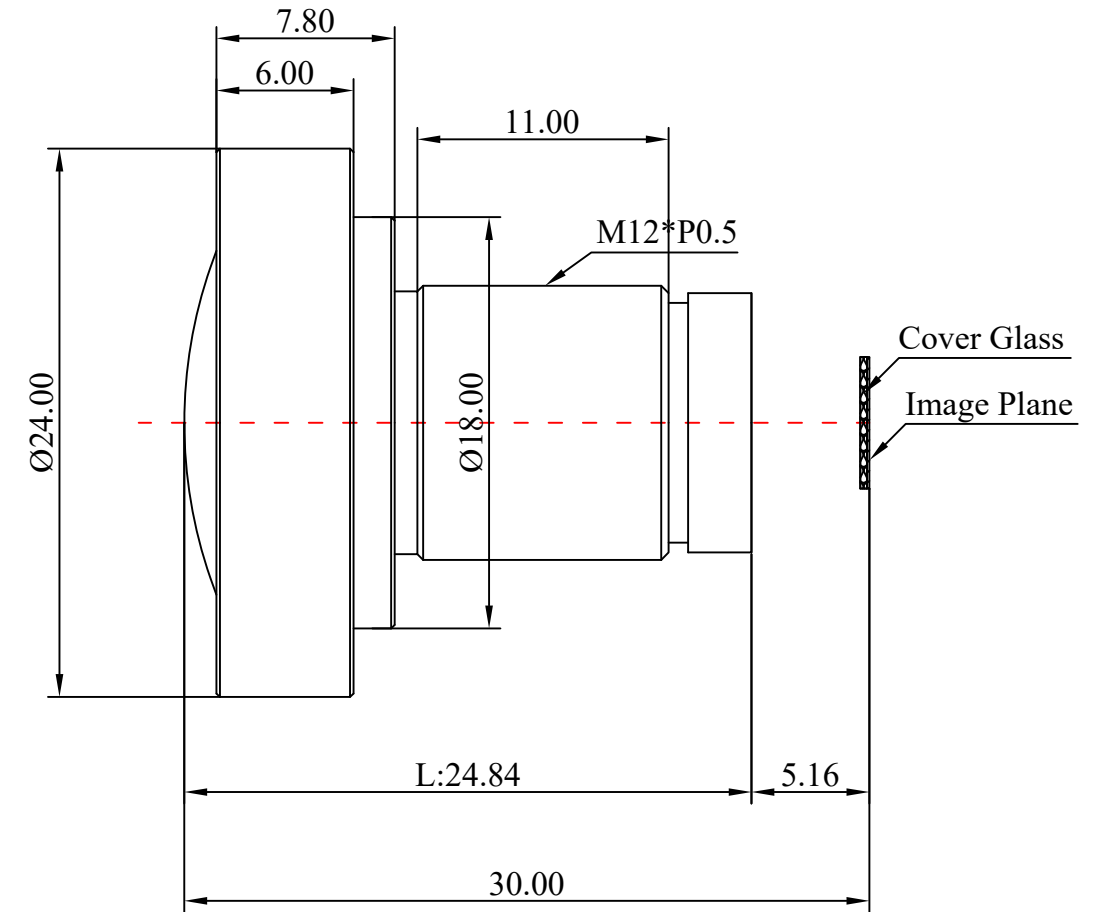
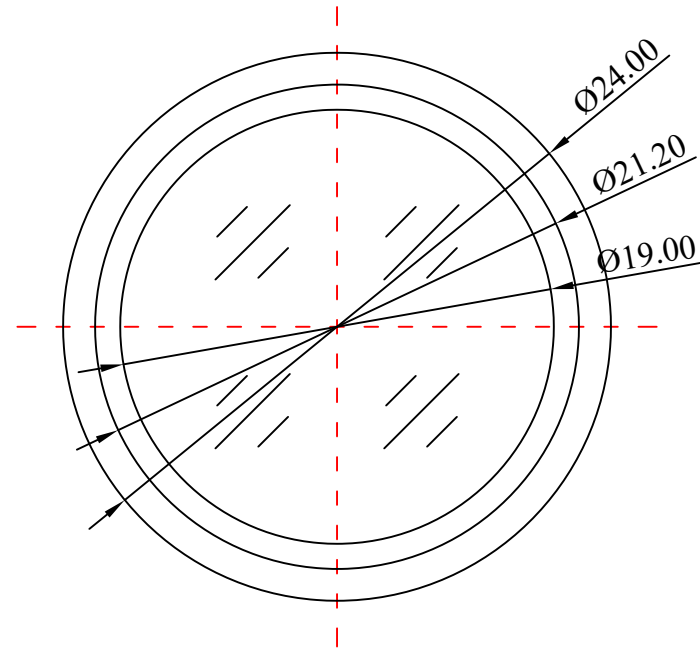


| | | | |
|----|-----------------------|---------------------|-------|
| 1 | Type | Low Distortion Lens | |
| 2 | Resolution | 10MP | |
| 3 | Image Format | 1/1.8" | |
| 4 | Image Circle | φ9.0mm(MAX) | |
| 5 | EFL | 4.5mm | |
| 6 | TTL | 30.00mm | |
| 7 | F/NO. | 2.0 | |
| 8 | FFL (M) | 5.16mm | |
| 9 | BFL (O) | 5.90mm | |
| 10 | For Sensor | IMX334 | |
| 11 | F.O.V | Horizontal | 90° |
| 12 | | Vertical | 54.8° |
| 13 | | Diagonal | 99° |
| 14 | OPT Distortion | <-14.2% | |
| 15 | Relative Ill. | >63% | |
| 16 | Chief Ray Angle | <10.4° | |
| 17 | M.O.D | 0.1m~∞ | |
| 18 | Mount Type | M12*P0.5 | |
| 19 | Dimension Figure | φ24.00*L24.84mm | |
| 20 | Lens Structure | 12G | |
| 21 | IR-Filter | Non-IR | |
| 22 | Waterproof | No | |
| 23 | Weight | 13.4g | |
| 24 | Iris Operation | Fixed | |
| 25 | Zoom Operation | Fixed | |
| 26 | Focus Operation | Manual | |
| 27 | Operating Temperature | -20° ~+85° | |
| 28 | Storage Temperature | -20° ~+85° | |



| Scale | Remark | Tolerances | Date | Revised | | 福州创安光电科技有限公司 FUZHOU CHUANGAN OPTICS CO., LTD |
|-------|--------|------------|------------|----------------|------------|---|
| 4:1 | X | ±0.2 | 2020-12-01 | CH3658B Rev1.0 | | |
| | X.0 | ±0.15 | | | | |
| Units | X.00 | ±0.10 | Design | Linda | 2020-03-13 | |
| | X.000 | ±0.001 | Checked | Anna | 2020-04-09 | |
| mm | Angle | ±0.5° | Approval | Sanmu | 2020-04-19 | |

