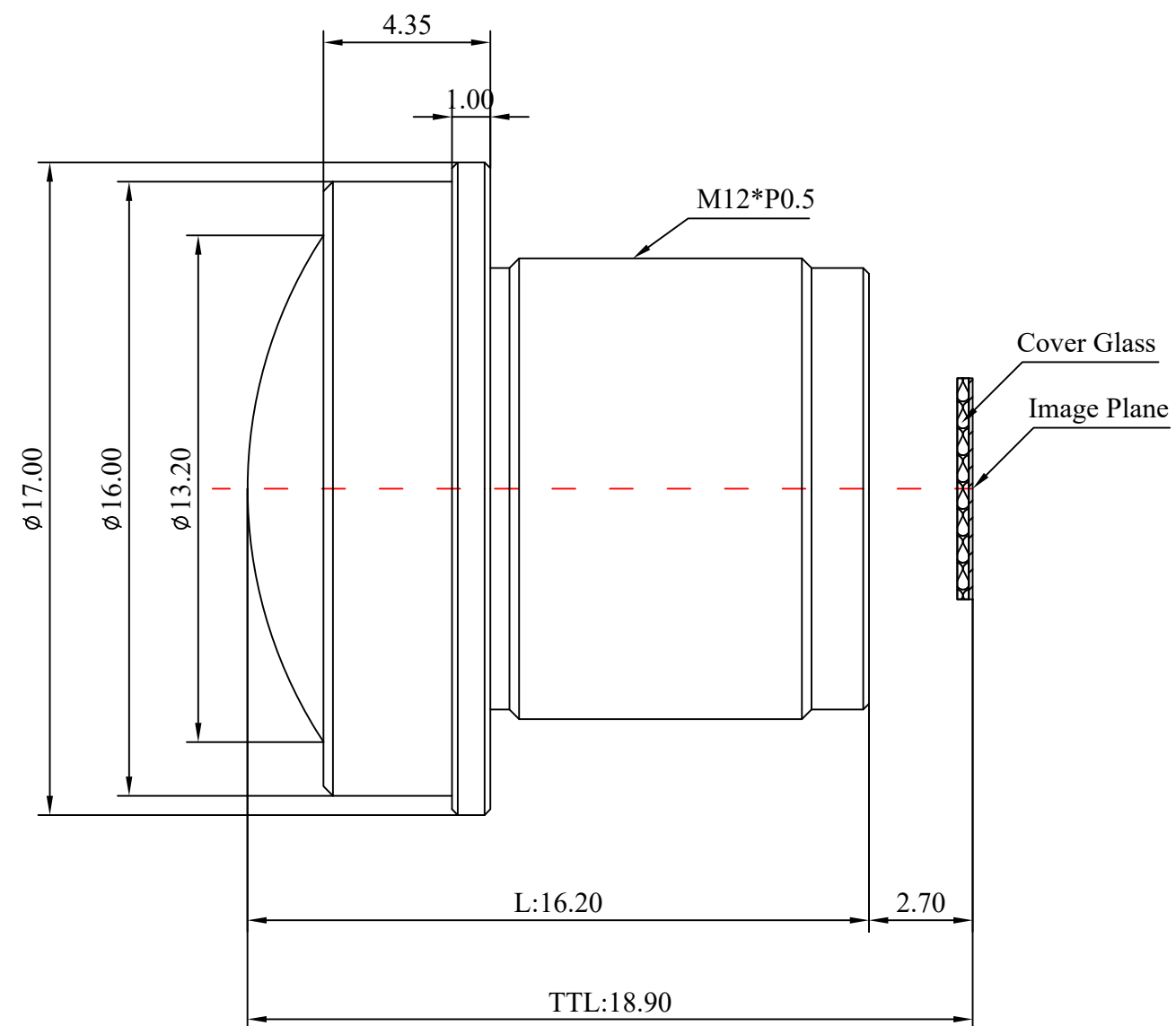


1	Type	Wide Angle Lens	
2	Resolution	MP	
3	Image Format	1/3.6"	
4	Image Circle	φ4.8mm(MAX)	
5	EFL	1.5mm	
6	TTL	18.90mm	
7	F/NO.	2.0	
8	FFL (M)	2.7mm	
9	BFL (O)	3.60mm	
10	For Sensor	1/4"	
11	F.O.V	Horizontal	139°
12		Vertical	100°
13		Diagonal	175°
14	TV Distortion	<-32.21%	
15	Relative Ill.	>78.8%	
16	Chief Ray Angle	<35.04°	
17	M.O.D	0.1m~∞	
18	Mount Type	M12*P0.5	
19	Dimension Figure	φ17.00*L16.20mm	
20	Lens Structure	6G	
21	IR-Filter	IR650-940nm	
22	Waterproof	No	
23	Weight	6.1g	
24	Iris Operation	Fixed	
25	Zoom Operation	Fixed	
26	Focus Operation	Manual	
27	Operating Temperature	-20° ~+85°	
28	Storage Temperature	-20° ~+85°	



Scale	Remark	Tolerances	Date	Revised		福州创安光电科技有限公司 FUZHOU CHUANGAN OPTICS CO., LTD
4:1	X	±0.2	2021-08-04	CH365E Rev1.1		
	X.0	±0.15				
Units	X.00	±0.10	Design	Linda	2016-07-01	
	X.000	±0.001	Checked	Anna	2016-09-01	
mm	Angle	±0.5°	Approval	Sanmu	2016-09-28	

