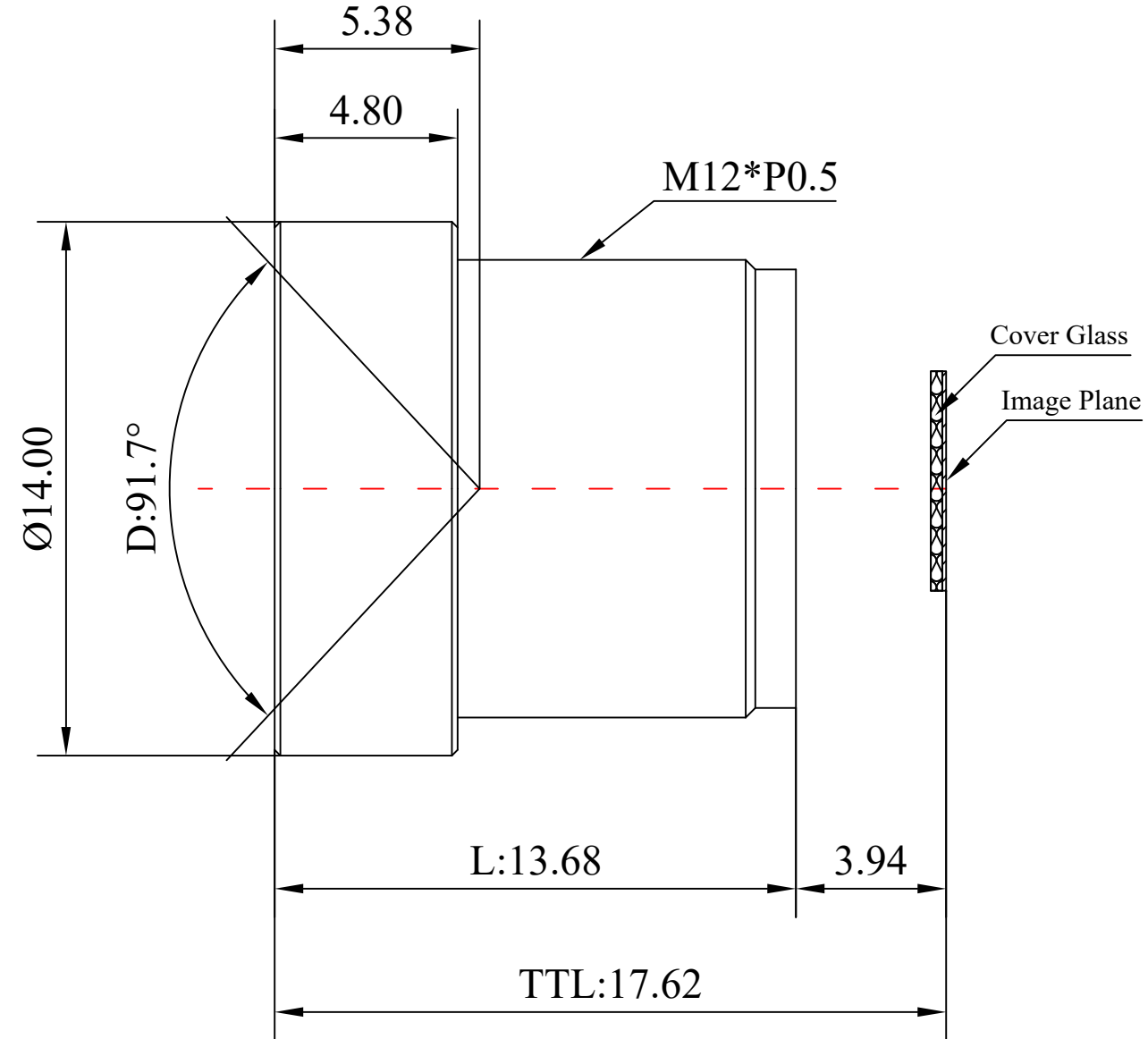


| | | | |
|----|-----------------------|---------------------|-------|
| 1 | Type | Non Distortion Lens | |
| 2 | Resolution | 8MP | |
| 3 | Image Format | 1/2.7" | |
| 4 | Image Circle | φ6.8mm(MAX) | |
| 5 | EFL | 3.23mm | |
| 6 | TTL | 17.62mm | |
| 7 | F/NO. | 4.0 | |
| 8 | FFL (M) | 3.94mm | |
| 9 | BFL (O) | 4.13mm | |
| 10 | For Sensor | OV2710/OV2715 | |
| 11 | F.O.V | Horizontal | 83.5° |
| 12 | | Vertical | 52.3° |
| 13 | | Diagonal | 91.7° |
| 14 | OPT Distortion | <-1.2% | |
| 15 | Relative Ill. | >50% | |
| 16 | Chief Ray Angle | <16.7° | |
| 17 | M.O.D | 0.1m~∞ | |
| 18 | Mount Type | M12*P0.5 | |
| 19 | Dimension Figure | φ14.0*L13.68mm | |
| 20 | Lens Structure | 4G2P | |
| 21 | IR-Filter | Non-IR | |
| 22 | Waterproof | No | |
| 23 | Weight | 4.1g | |
| 24 | Iris Operation | Fixed | |
| 25 | Zoom Operation | Fixed | |
| 26 | Focus Operation | Manual | |
| 27 | Operating Temperature | -20° ~+85° | |
| 28 | Storage Temperature | -20° ~+85° | |



| Scale | Remark | Tolerances | Date | Revised | | 福州创安光电科技有限公司 FUZHOU CHUANGAN OPTICS CO., LTD |
|-------|--------|------------|------------|----------------|------------|---|
| 5:1 | X | ±0.2 | 2019-06-17 | CH3642B Rev1.0 | | |
| | X.0 | ±0.15 | | | | |
| Units | X.00 | ±0.10 | Design | Linda | 2019-06-17 | |
| | X.000 | ±0.001 | Checked | Anna | 2019-08-14 | |
| mm | Angle | ±0.5° | Approval | Sanmu | 2019-08-21 | |

