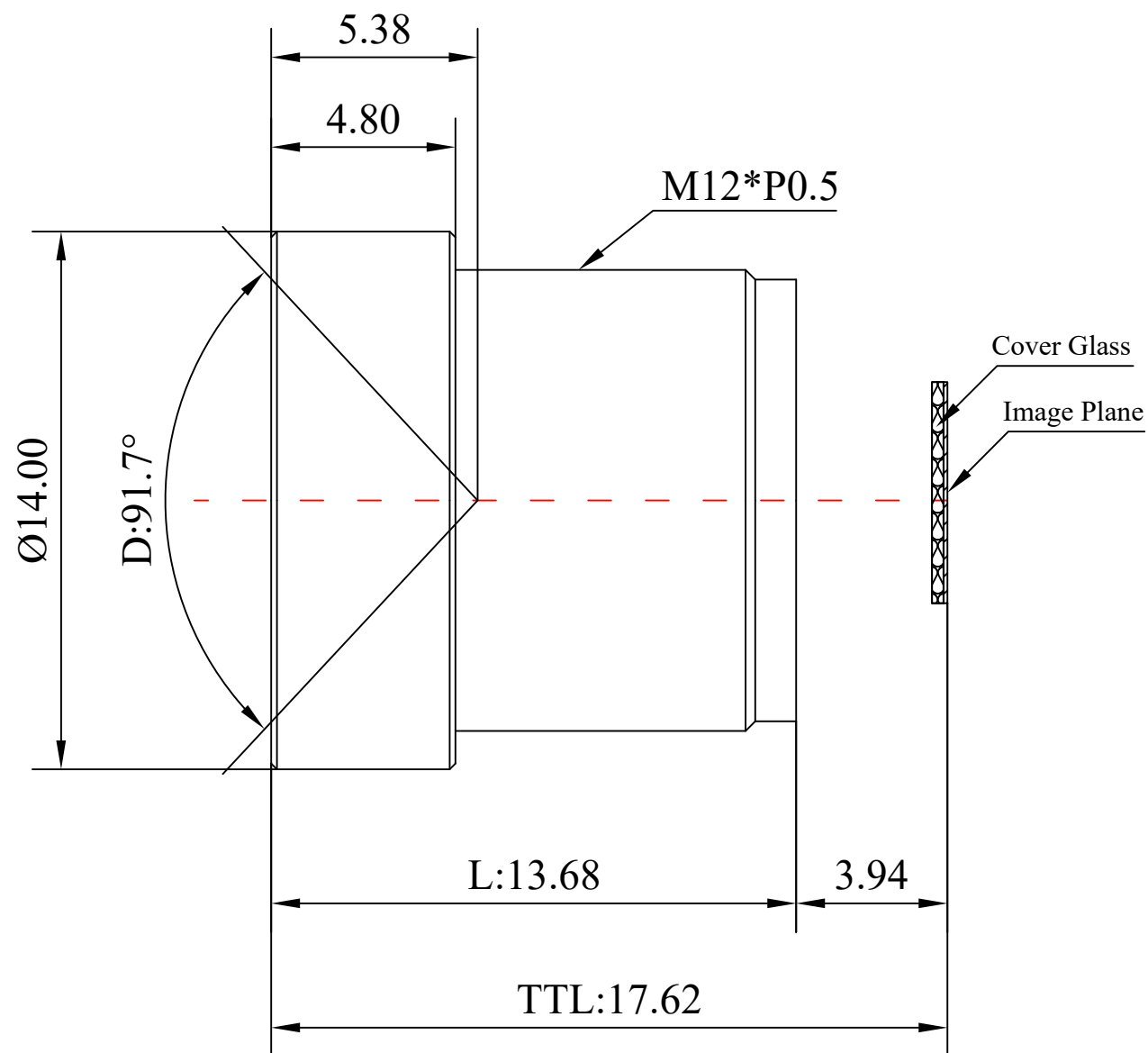


1	Type	Non Distortion Lens	
2	Resolution	8MP	
3	Image Format	1/2.7"	
4	Image Circle	φ6.8mm(MAX)	
5	EFL	3.23mm	
6	TTL	17.62mm	
7	F/NO.	2.4	
8	FFL (M)	3.94mm	
9	BFL (O)	4.13mm	
10	For Sensor	OV2710/OV2715	
11	F.O.V	Horizontal	83.5°
12		Vertical	52.3°
13		Diagonal	91.7°
14	OPT Distortion	<-1.2%	
15	Relative Ill.	>50%	
16	Chief Ray Angle	<16.7°	
17	M.O.D	0.1m~∞	
18	Mount Type	M12*P0.5	
19	Dimension Figure	φ14.0*L13.68mm	
20	Lens Structure	4G2P	
21	IR-Filter	Non-IR	
22	Waterproof	No	
23	Weight	4.1g	
24	Iris Operation	Fixed	
25	Zoom Operation	Fixed	
26	Focus Operation	Manual	
27	Operating Temperature	-20° ~+85°	
28	Storage Temperature	-20° ~+85°	



Scale	Remark	Tolerances	Date	Revised		福州创安光电科技有限公司 FUZHOU CHUANGAN OPTICS CO., LTD
5:1	X	±0.2	2019-06-17	CH3642A Rev1.0		
	X.0	±0.15				
Units	X.00	±0.10	Design	Linda	2019-06-17	
	X.000	±0.001	Checked	Anna	2019-08-14	
mm	Angle	±0.5°	Approval	Sanmu	2019-08-21	

