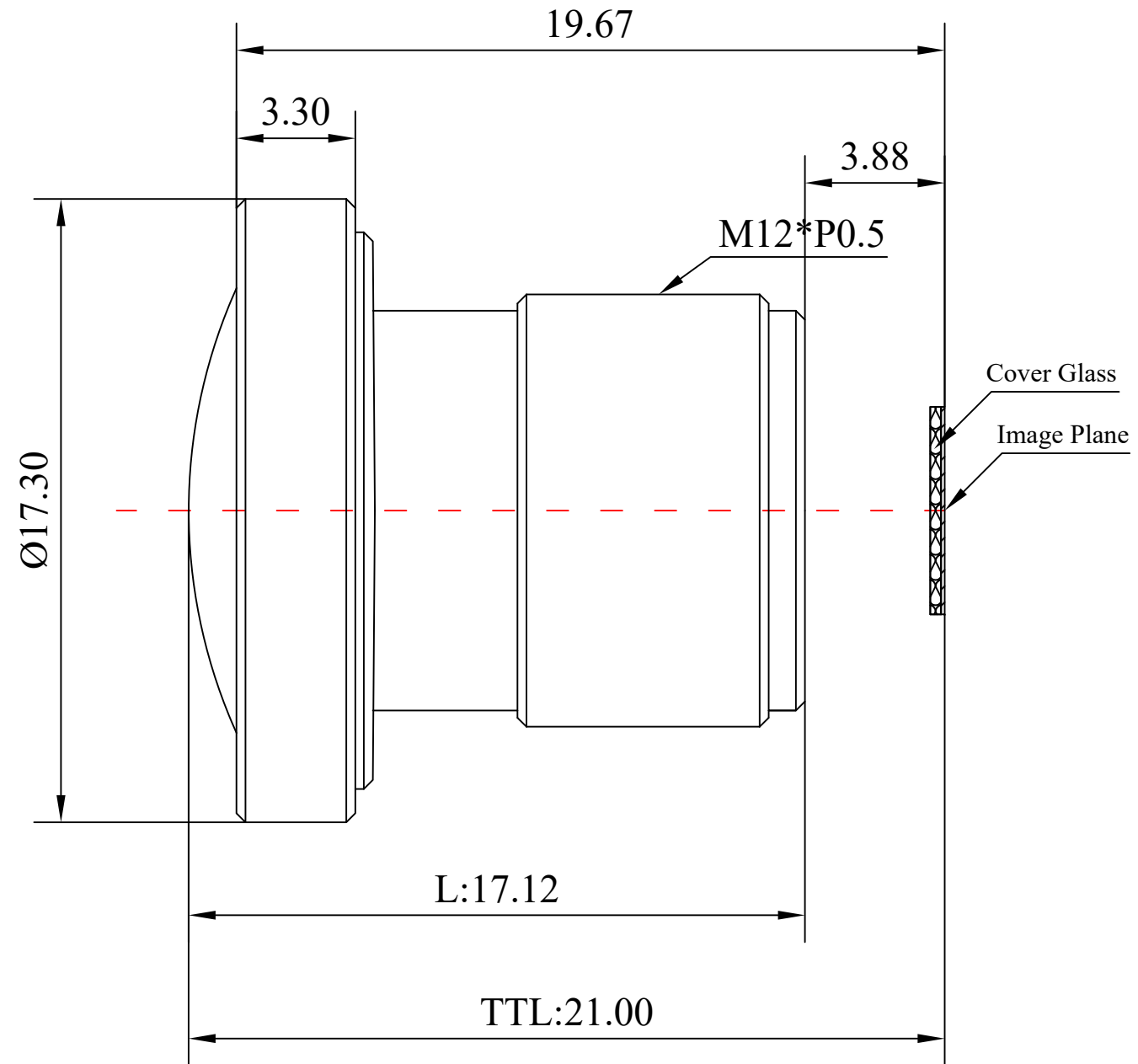


1	Type	Wide Angle Lens	
2	Resolution	8.51MP	
3	Image Format	1/2.5"	
4	Image Circle	φ7.2mm(MAX)	
5	EFL	2.93mm	
6	TTL	21.00mm	
7	F/NO.	2.4	
8	FFL (M)	3.88mm	
9	BFL (O)	4.73mm	
10	For Sensor	IMX274	
11	F.O.V	Horizontal	130°
12		Vertical	74°
13		Diagonal	150°
14	TV Distortion	<-14.5%	
15	Relative Ill.	>80%	
16	Chief Ray Angle	<20.01°	
17	M.O.D	0.1m~∞	
18	Mount Type	M12*P0.5	
19	Dimension Figure	φ17.3*L17.12mm	
20	Lens Structure	7G	
21	IR-Filter	T=50% &650±10nm	
22	Waterproof	No	
23	Weight	---	
24	Iris Operation	Fixed	
25	Zoom Operation	Fixed	
26	Focus Operation	Manual	
27	Operating Temperature	-20° ~+85°	
28	Storage Temperature	-20° ~+85°	



Scale	Remark	Tolerances	Date	Revised		福州创安光电科技有限公司 FUZHOU CHUANGAN OPTICS CO., LTD
5:1	X	±0.2	2020-03-18	CH3638A Rev1.0		
	X.0	±0.15				
Units	X.00	±0.10	Design	Linda	2019-05-19	
	X.000	±0.001	Checked	Anna	2019-07-28	
mm	Angle	±0.5°	Approval	Sanmu	2019-08-30	

