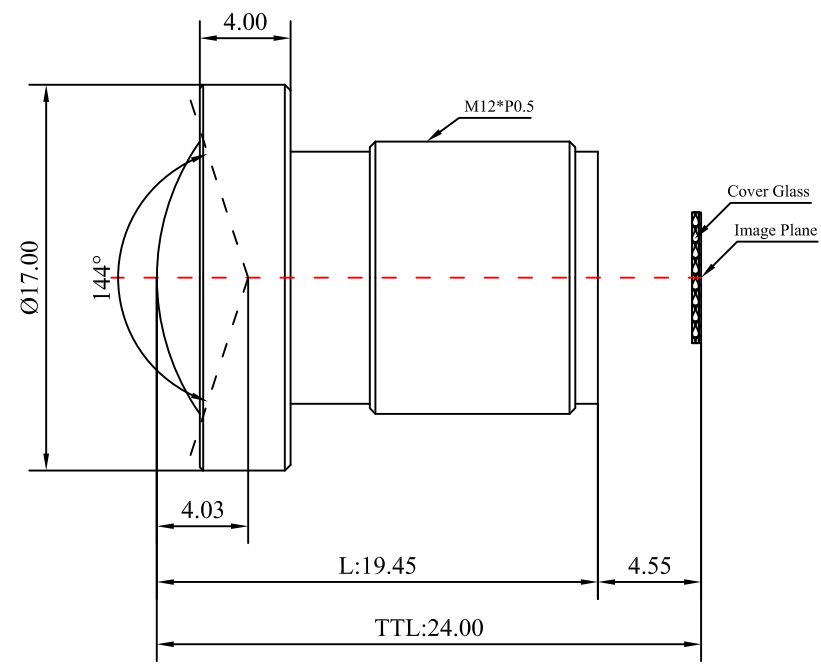
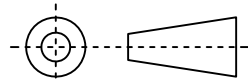


1	Type	Wide Angle Lens	
2	Resolution	16MP	
3	Image Format	1/2.5"	
4	Image Circle	φ7.5mm(MAX)	
5	EFL	3.1mm	
6	TTL	24.00mm	
7	F/NO.	2.0	
8	FFL (M)	4.55mm	
9	BFL (O)	5.4mm	
10	For Sensor	IMX274	
11	F.O.V	Horizontal	122°
12		Vertical	67°
13		Diagonal	144°
14	OPT Distortion	<-60%	
15	Relative Ill.	>90%	
16	Chief Ray Angle	<7°	
17	M.O.D	0.1m~∞	
18	Mount Type	M12*P0.5	
19	Dimension Figure	φ17.0*L19.45mm	
20	Lens Structure	8G	
21	IR-Filter	IR650nm/BF	
22	Waterproof	IP67	
23	Weight	7.2g	
24	Iris Operation	Fixed	
25	Zoom Operation	Fixed	
26	Focus Operation	Manual	
27	Operating Temperature	-20° ~ +85°	
28	Storage Temperature	-20° ~ +85°	



Scale	Remark	Tolerances	Date	Revised	
5:1	X	±0.2	2019-12-24	CH3630B Rev1.0	
	X.0	±0.15			
Units	X.00	±0.10	Design	Linda	2019-09-03
	X.000	±0.001	Checked	Anna	2019-10-25
mm	Angle	±0.5°	Approval	Sanmu	2019-12-17

福州创安光电科技有限公司
FUZHOU CHUANGAN OPTICS CO., LTD



3D Angle Projection