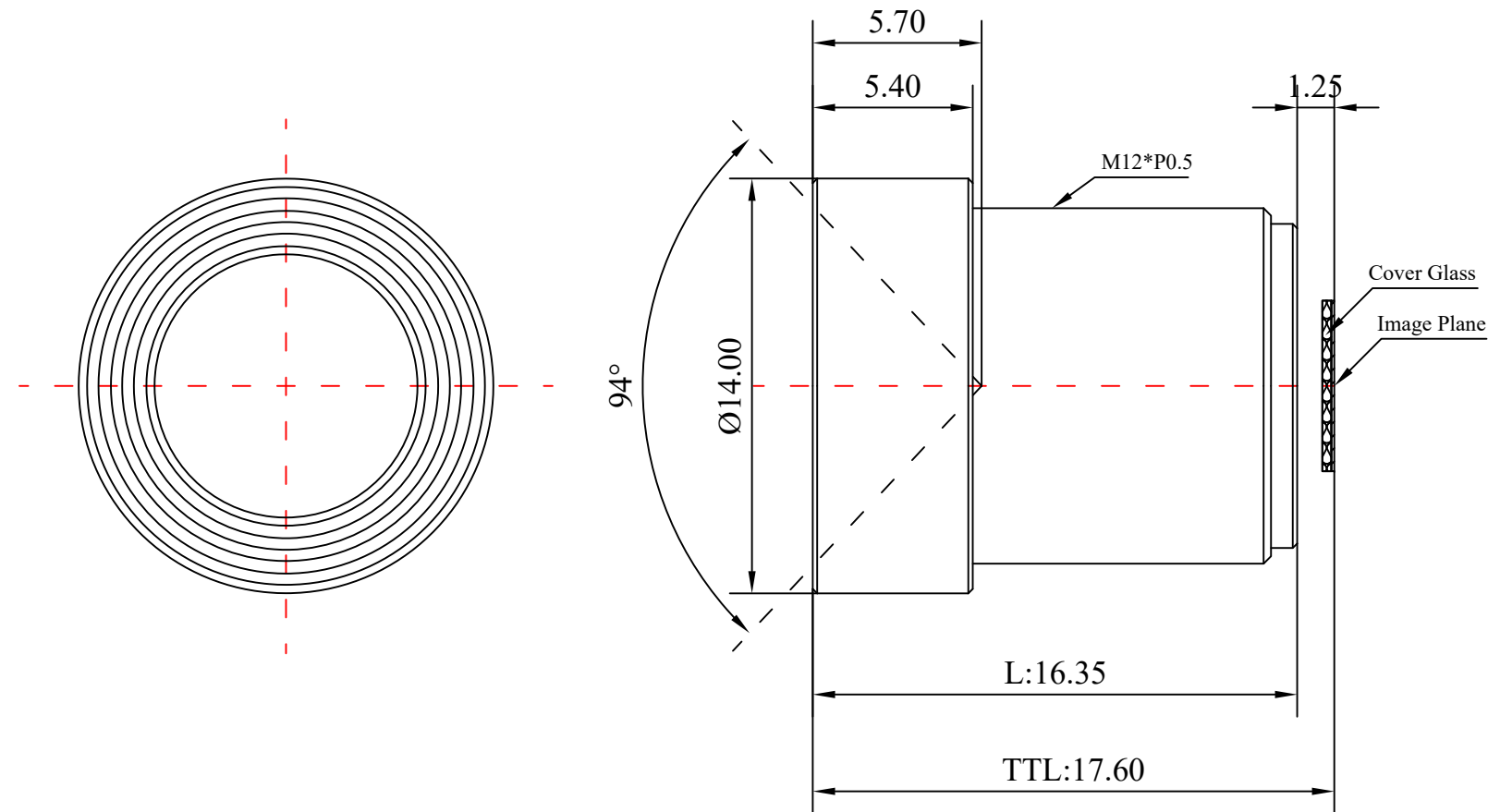


1	Type	Scan Lens
2	Resolution	MP
3	Image Format	1/4"
4	Image Circle	φ4.8mm(MAX)
5	EFL	2.1mm
6	TTL	17.60mm
7	F/NO.	3.2
8	FFL (M)	1.25mm
9	BFL (O)	1.70mm
10	For Sensor	1/4"
11	F.O.V	Horizontal 83°
12		Vertical 58°
13		Diagonal 93.6°
14	TV Distortion	<-1.5%
15	Relative Ill.	>61%
16	Chief Ray Angle	<16.5°
17	M.O.D	0.1m~∞
18	Mount Type	M12*P0.5
19	Dimension Figure	φ14.00*L16.35mm
20	Lens Structure	2G2P Metal
21	IR-Filter	IR850nm
22	Waterproof	No
23	Weight	3.6g
24	Iris Operation	Fixed
25	Zoom Operation	Fixed
26	Focus Operation	Manual
27	Operating Temperature	-15° ~+65°
28	Storage Temperature	-15° ~+65°



Scale	Remark	Tolerances	Date	Revised		福州创安光电科技有限公司 FUZHOU CHUANGAN OPTICS CO., LTD
5:1	X	±0.2	2019-10-22	CH3617BD Rev1.0		
	X.0	±0.15				
Units	X.00	±0.10	Design	Linda	2019-07-21	
	X.000	±0.001	Checked	Anna	2019-08-29	
mm	Angle	±0.5°	Approval	Sanmu	2019-09-02	

