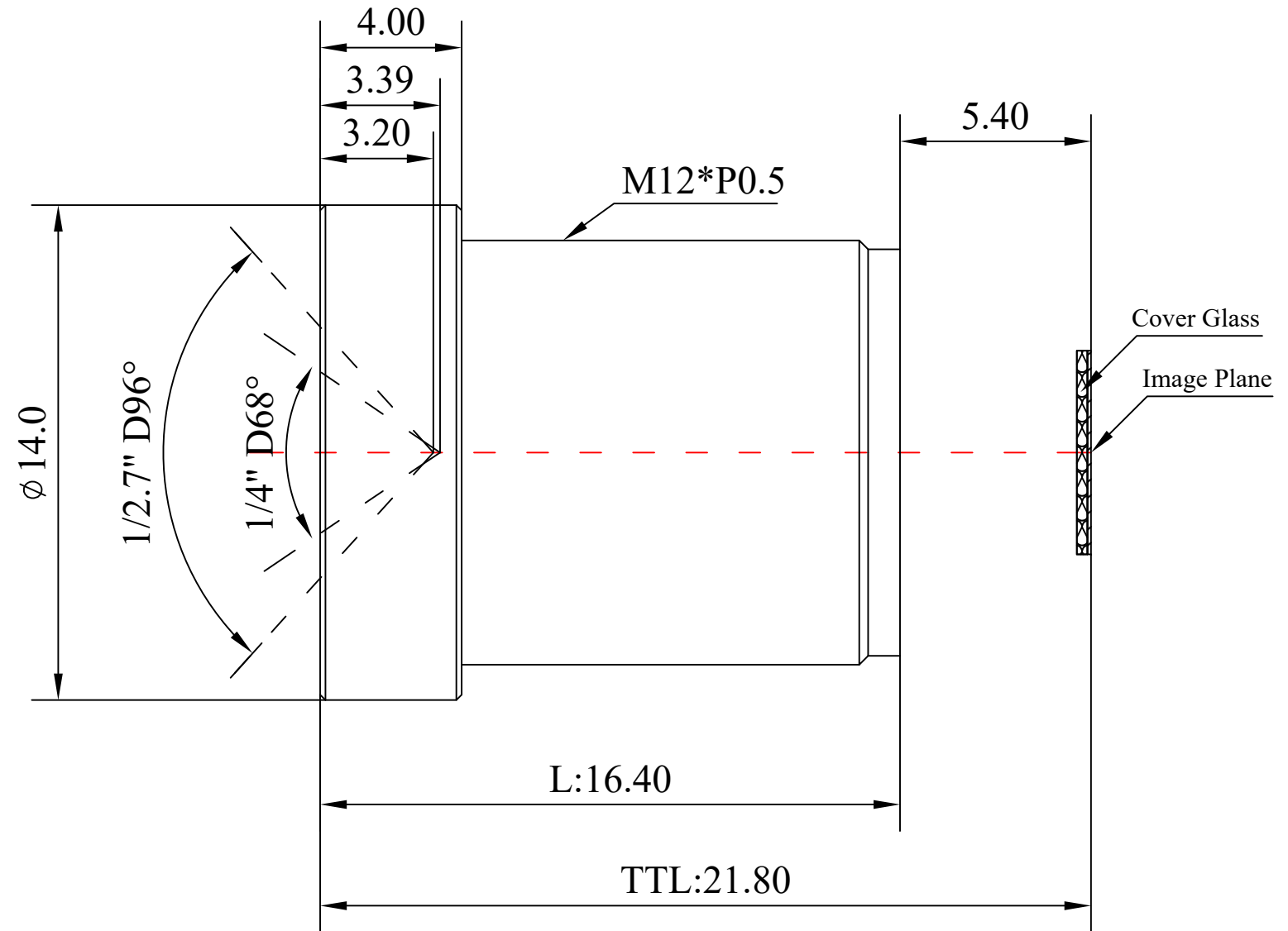


1	Type	Board Lens	
2	Resolution	5MP	
3	Image Format	1/2.7"	
4	Image Circle	φ6.8mm(MAX)	
5	EFL	4.0mm	
6	TTL	21.80mm	
7	F/NO.	2.0	
8	FFL (M)	5.40mm	
9	BFL (O)	6.20mm	
10	For Sensor	1/2.7"	AR0140
11	F.O.V	Horizontal	84° 54°
12		Vertical	46° 41°
13		Diagonal	96° 68°
14	TV Distortion	<-11%(H)	<-8%(H)
15	Relative Ill.	>65%	>70%
16	Chief Ray Angle	<22°	<20°
17	M.O.D	0.1m~∞	
18	Mount Type	M12*P0.5	
19	Dimension Figure	φ14.0*L16.40mm	
20	Lens Structure	6G	
21	IR-Filter	Non-IR	
22	Waterproof	No	
23	Weight	5.5g	
24	Iris Operation	Fixed	
25	Zoom Operation	Fixed	
26	Focus Operation	Manual	
27	Operating Temperature	-20° ~+85°	
28	Storage Temperature	-20° ~+85°	



Scale	Remark	Tolerances	Date	Revised		福州创安光电科技有限公司 FUZHOU CHUANGAN OPTICS CO., LTD
4:1	X	±0.2	2019-05-08	CH3593A Rev1.1		
	X.0	±0.15				
Units	X.00	±0.10	Design	Linda	2018-05-26	
	X.000	±0.001	Checked	Anna	2018-07-20	
mm	Angle	±0.5°	Approval	Sanmu	2018-07-20	

