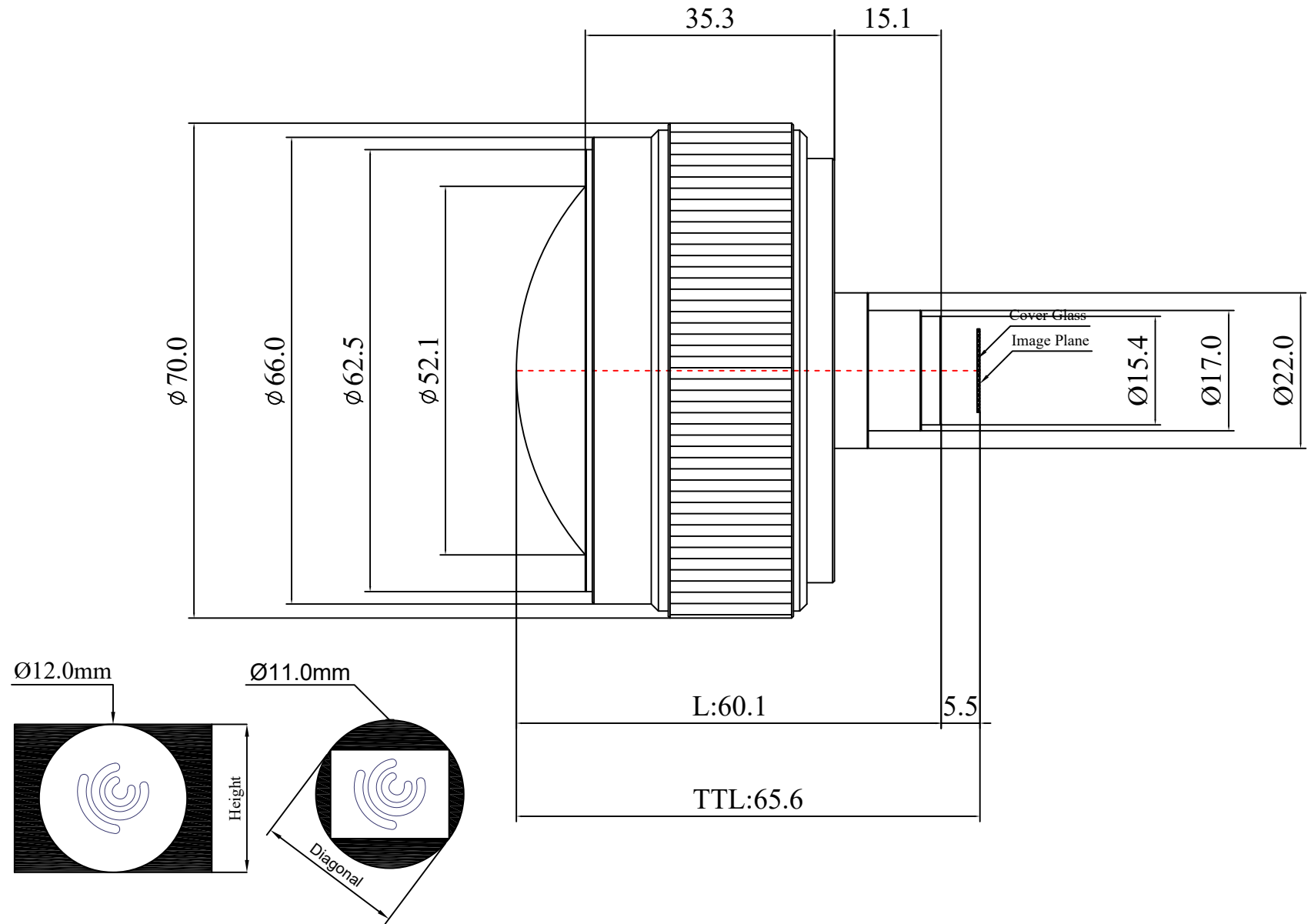


| | | | |
|----|-----------------------|--------------|------|
| 1 | Type | Fisheye Lens | |
| 2 | EFL | 4mm | |
| 3 | F.NO | F2.5 | |
| 4 | Resolution | 10MP | |
| 5 | Image Format | 3/4" | |
| 6 | Image Circle | φ12.0(V-MAX) | |
| 7 | FFL (M) | 7.7 | |
| 8 | BFL (O) | 17.53 | |
| 9 | F.O.V | 3/4" | 190° |
| 10 | | 2/3" | 152° |
| 11 | TV Distortion | --- | |
| 12 | M.O.D | 0.1m | |
| 13 | Mount Type | --- | |
| 14 | Dimension Figure | φ70.0*L60.6 | |
| 15 | Filter Size | Non | |
| 16 | Weight | 347g | |
| 17 | Iris Operation | Manual | |
| 18 | Zoom Operation | Fixed | |
| 19 | Focus Operation | Manual | |
| 20 | Operating Temperature | -20° ~ +85° | |
| 21 | Storage Temperature | -20° ~ +85° | |



| Scale | Remark | Tolerances | Date | REVISED | |
|-------|--------|------------|------------|----------------|------------|
| 1: 1 | X | ±0.2 | 2019-05-20 | CH3587A Rev1.0 | |
| | X.0 | ±0.15 | | | |
| Units | X.00 | ±0.10 | Design | Linda | 2017-03-07 |
| | X.000 | ±0.001 | Checked | Anna | 2017-03-28 |
| mm | Angle | ±0.5° | Approval | Sanmu | 2017-05-16 |

福州创安光电科技有限公司
 FUZHOU CHUANGAN OPTICS CO., LTD

