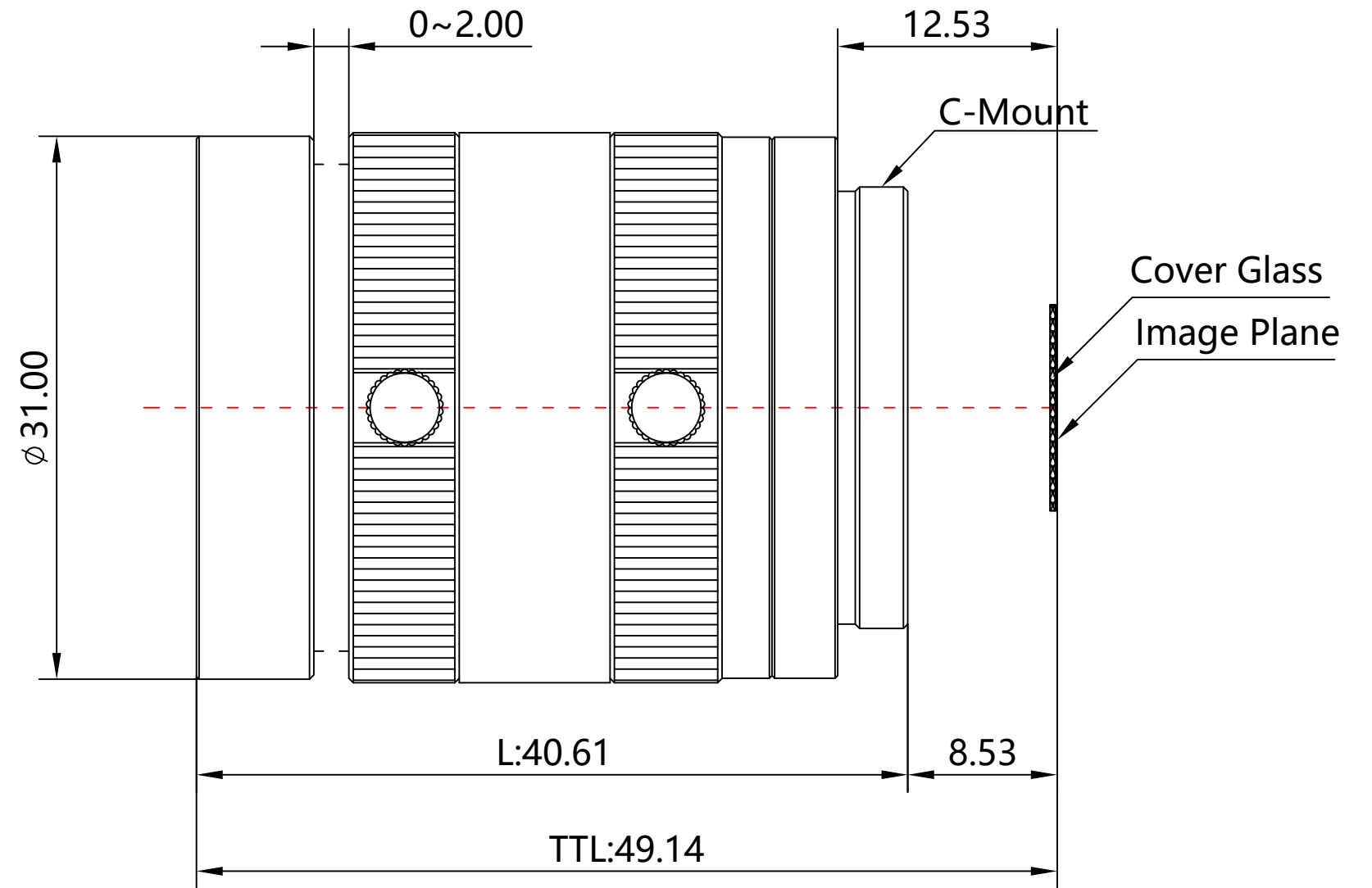
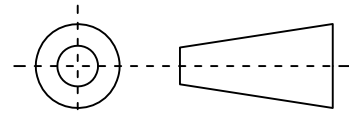


1	Type	Machine Vision Lens
2	EFL	6.0mm
3	F.NO	F2.0~F22
4	Resolution	MP
5	Image Format	1/2"
6	BFL (M)	8.53
7	BFL (O)	12.53
8	F.O.V (H*V*D)	52.1°*40.3°*62.4°
9		
10		
11	TV Distortion	<1.5%
12	M.O.D	0.2m~∞
13	Mount Type	CS
14	Dimension Figure	φ31.00*L40.61mm
15	Filter Size	No
16	Weight	180g



17	Iris Operation	Manual	Scale	Remark	Tolerances	Date	Revised		福州创安光电科技有限公司 FUZHOU CHUANGAN OPTICS CO., LTD
18	Zoom Operation	Fixed		2: 1	X	±0.2	2019-05-11	CH3574A Rev1.1	
19	Focus Operation	Manual	Units	X.0	±0.15		Linda	2016-10-15	
20	Operating Temperature	-20° ~ +85°		X.00	±0.10	Design	Anna	2016-10-20	
21	Storage Temperature	-20° ~ +85°	mm	X.000	±0.001	Checked	Sanmu	2016-10-28	
				Angle	±0.5°	Approval			 3D Angle Projection