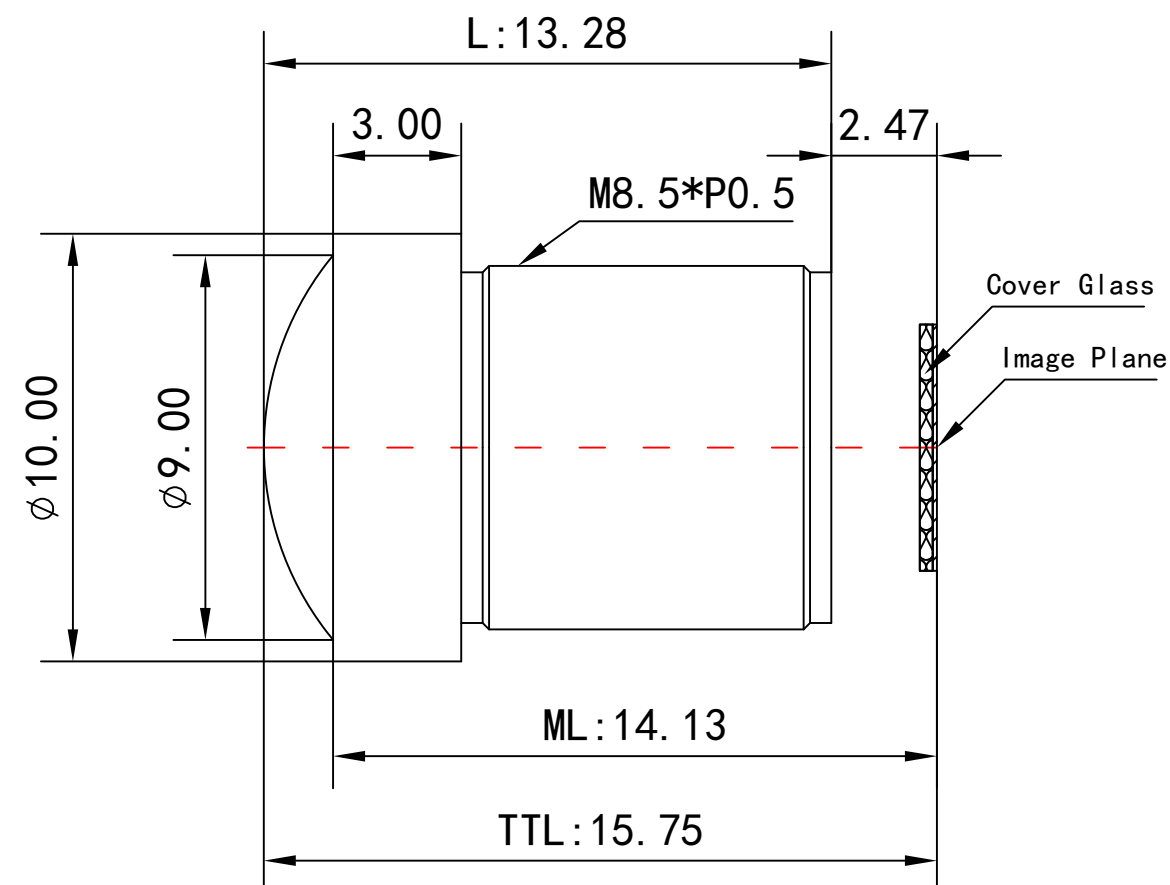
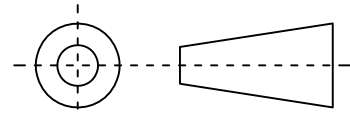


1	Type	Low Distortion Lens	
2	Resolution	8.8MP	
3	Image Format	1/2.7"	
4	Image Circle	φ7.0mm(MAX)	
5	EFL	2.96mm	
6	TTL	15.75mm	
7	F/NO.	<b>2.5</b>	
8	FFL (M)	2.47mm	
9	BFL (O)	3.26mm	
10	For Sensor	OV2710	
11	F.O.V	Horizontal	88.3°
12		Vertical	57.1°
13		Diagonal	98°
14	TV Distortion	<-1%	
15	Relative Ill.	>60%	
16	Chief Ray Angle	<15.6°	
17	M.O.D	0.1m~∞	
18	Mount Type	<b>M8.5*P0.5</b>	
19	Dimension Figure	φ10.0*L13.28mm	
20	Lens Structure	4G2P(PM)	
21	IR-Filter	Non-IR	
22	Waterproof	No	
23	Weight	3g	
24	Iris Operation	Fixed	
25	Zoom Operation	Fixed	
26	Focus Operation	Manual	
27	Operating Temperature	-20° ~+85°	
28	Storage Temperature	-20° ~+85°	



Scale	Remark	Tolerances	Date	Revised		福州创安光电科技有限公司 FUZHOU CHUANGAN OPTICS CO., LTD
4:1	X	±0.2	2019-05-22	CH3559A Rev1.0		
	X.0	±0.15				
Units	X.00	±0.10	Design	Linda	2018-05-26	 3D Angle Projection
	X.000	±0.001	Checked	Anna	2018-07-20	
mm	Angle	±0.5°	Approval	Sanmu	2018-07-20	