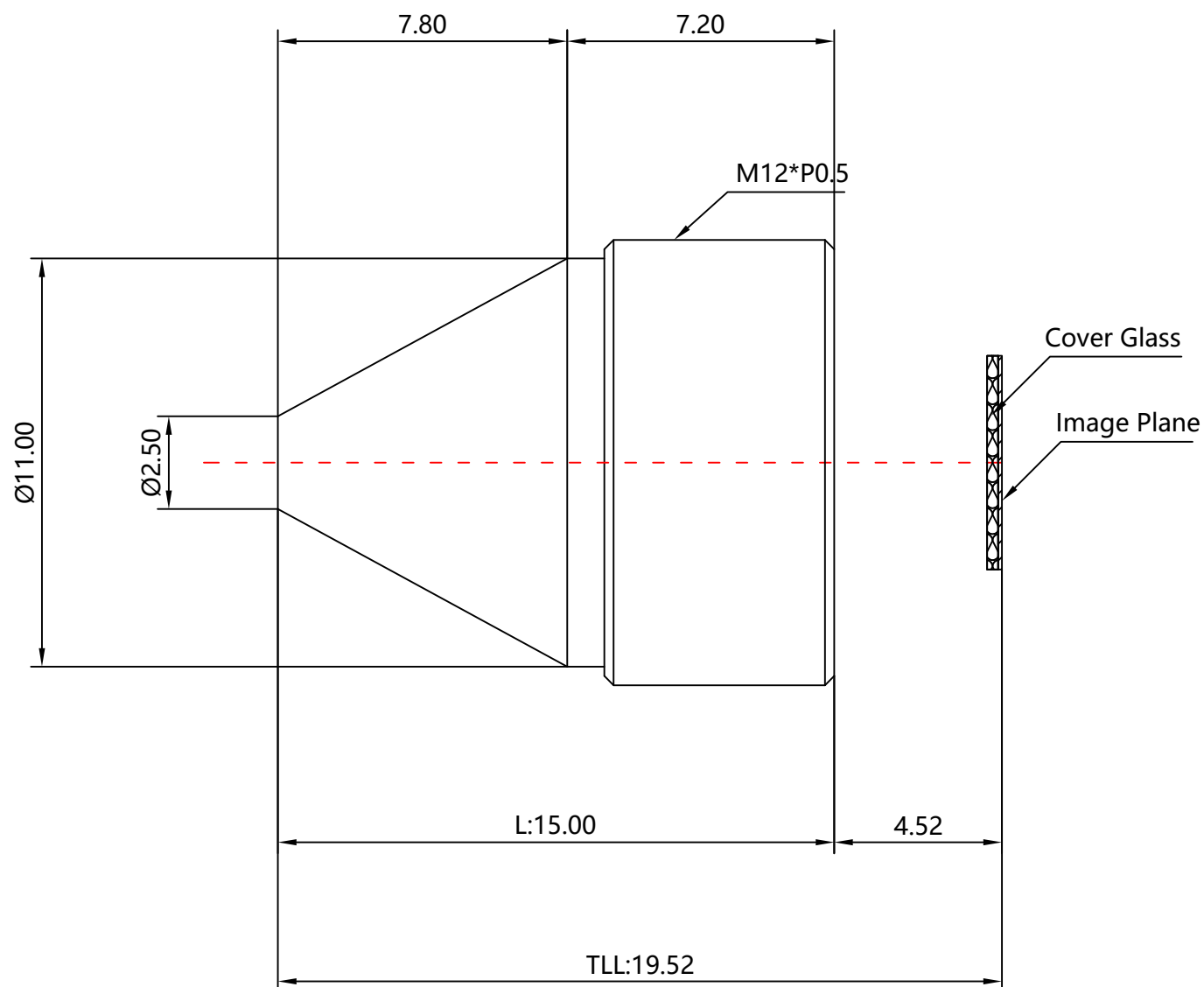
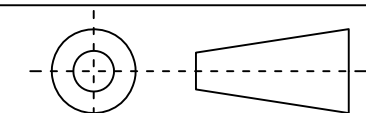


1	Type	Pinhole Lens	
2	Resolution	MP	
3	Image Format	1/2.7"	
4	Image Circle	φ6.80mm(MAX)	
5	EFL	10mm	
6	TTL	19.52mm	
7	F/NO.	1.6	
8	FFL (M)	4.52mm	
9	BFL (O)	8.36mm	
10	For Sensor	1/2.7"	
11	F.O.V	Horizontal	37.5°
12		Vertical	---
13		Diagonal	---
14	TV Distortion	<-2%	
15	Relative Ill.	>50%	
16	Chief Ray Angle	<13°	
17	M.O.D	0.2m~∞	
18	Mount Type	M12*P0.5	
19	Dimension Figure	φ12.00*L15.0mm	
20	Lens Structure	5G	
21	IR-Filter	No IR	
22	Weight	2.2g	
23	Iris Operation	Fixed	
24	Zoom Operation	Fixed	
25	Focus Operation	Manual	
26	Operating Temperature	-20° ~+85°	
27	Storage Temperature	-20° ~+85°	



Scale	Remark	Tolerances	Date	Revised		福州创安光电科技有限公司 FUZHOU CHUANGAN OPTICS CO., LTD
4:1	X	± 0.2	2022-05-27	CH3303A Rev1.0		
	X.0	± 0.15				
Units	X.00	± 0.10	Design	Linda	2017-03-17	
	X.000	± 0.001	Checked	Anna	2017-05-26	
mm	Angle	± 0.5°	Approval	Sanmu	2017-06-15	


**3D Angle Projection**