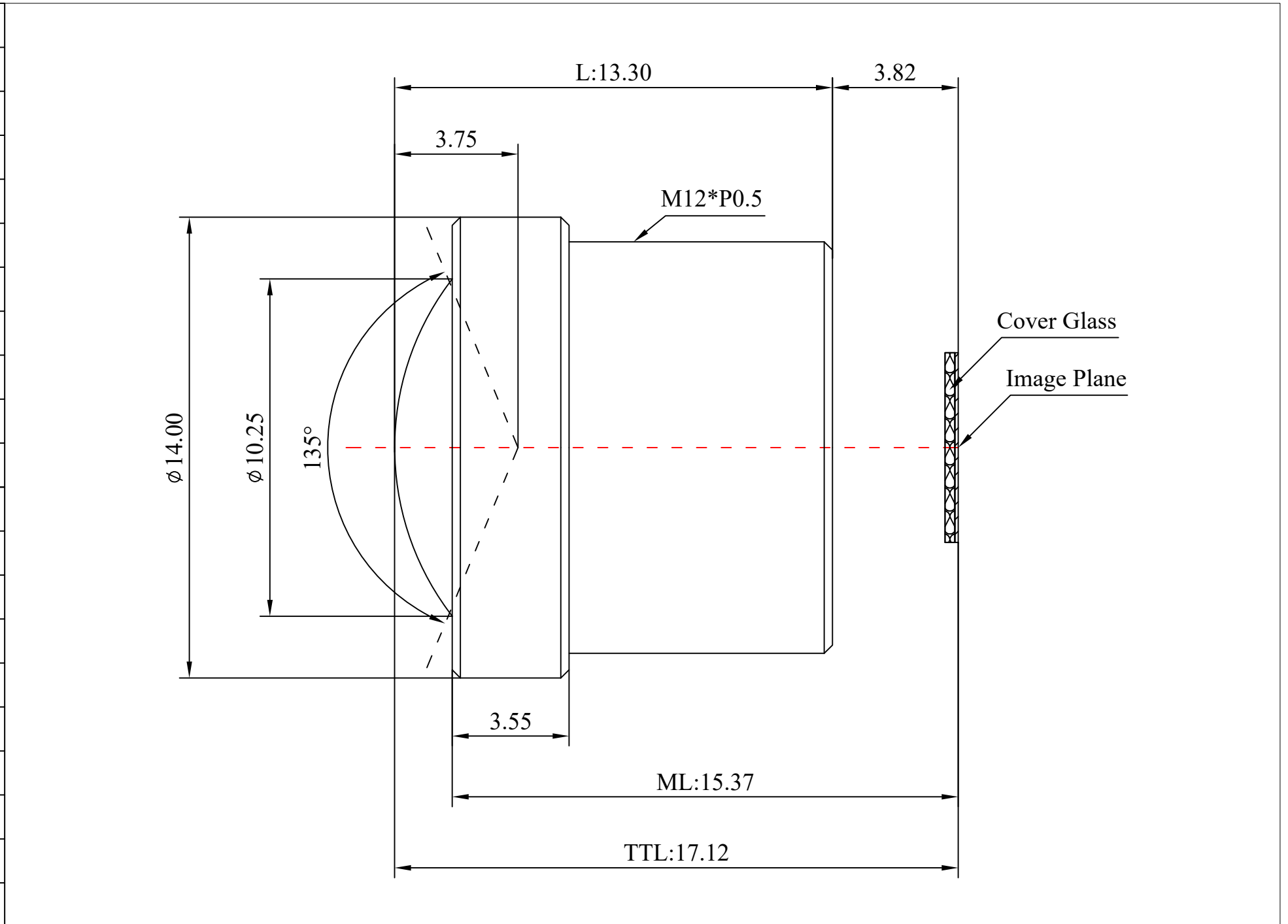
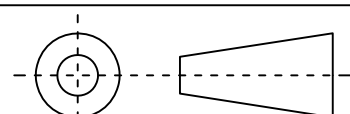


1	Type	Scan Lens			
2	Resolution	8.8MP			
3	Image Format	1/2.7"			
4	Image Circle	φ6.8mm(MAX)			
5	EFL	1.86mm			
6	TTL	17.12mm			
7	F/NO.	2.4			
8	FFL (M)	3.82mm			
9	BFL (O)	3.93mm			
10	For Sensor	OV2710	IMX415	OV4689	
11	F.O.V	Horizontal	123°	120°	110°
12		Vertical	101°	100°	95°
13		Diagonal	137°	135°	128°
14	Distortion	OPT<-3%	TV<-1.2%		
15	Relative Ill.	>45%			
16	Chief Ray Angle	<15°			
17	M.O.D	0.1m~∞			
18	Mount Type	M12*P0.5-6g			
19	Dimension Figure	φ14.00*L13.30mm			
20	Lens Structure	4G2P			
21	IR-Filter	Non IR			



22	Weight	4.3g	Scale	Remark	Tolerances	Date	Revised		福州创安光电科技有限公司 FUZHOU CHUANGAN OPTICS CO., LTD
23	Iris Operation	Fixed		4:1	X	± 0.2	2019-06-16	CH3000A Rev1.0	
24	Zoom Operation	Fixed	X.0		± 0.15				
25	Focus Operation	Manual	Units	X.00	± 0.10	Design	Linda	2017-03-17	 3D Angle Projection
26	Operating Temperature	-25° ~+85°		X.000	± 0.001	Checked	Anna	2017-04-26	
27	Storage Temperature	-25° ~+85°	mm	Angle	± 0.5°	Approval	Sanmu	2017-06-15	