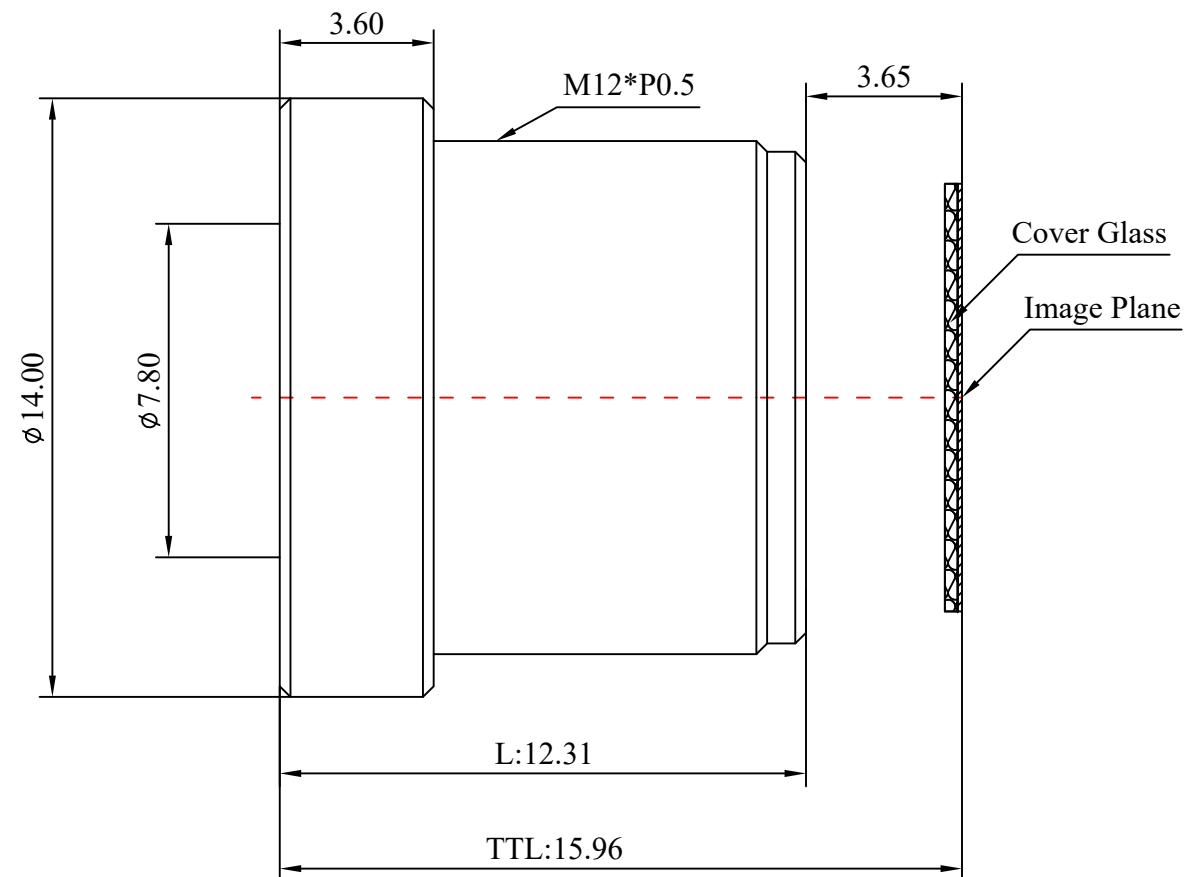
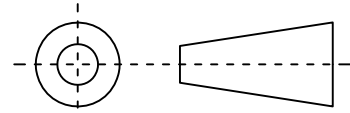


1	Type	Wide Angle Lens	
2	Resolution	MP	
3	Image Format	1/2.3"&1/2.5"	
4	Image Circle	φ8.0mm(MAX)	
5	EFL	3.67mm	
6	TTL	15.96mm	
7	F/NO.	1.8	
8	FFL (M)	3.65mm	
9	BFL (O)	5.35mm	
10	For Sensor	1/2.3"	1/2.5"
11	F.O.V	Horizontal	101°
12		Vertical	74°
13		Diagonal	132.3°
14	TV Distortion	H:<-17%	H:<-14.2%
15	Relative Ill.	>56%	>64.2%
16	Chief Ray Angle	<15°	<14°
17	M.O.D	0.1m~∞	
18	Mount Type	M12*P0.5	
19	Dimension Figure	φ14.00*L12.31mm	
20	Lens Structure	6G	
21	IR-Filter	IR940nm/NB	
22	Waterproof	No	
23	Weight	4.8g	
24	Iris Operation	Fixed	
25	Zoom Operation	Fixed	
26	Focus Operation	Manual	
27	Operating Temperature	-20° ~+85°	
28	Storage Temperature	-20° ~+85°	



C:\Users\Admin\Desktop\940nm(单通).png

Scale	Remark	Tolerances	Date	Revised		福州创安光电科技有限公司 FUZHOU CHUANGAN OPTICS CO., LTD
5 : 1	X	±0.2	2019-07-09	CH2799B Rev1.0		
	X.0	±0.15				
Units	X.00	±0.10	Design	Linda	2016-08-07	 3D Angle Projection
	X.000	±0.001	Checked	Anna	2016-11-02	
mm	Angle	±0.5°	Approval	Sanmu	2016-11-05	