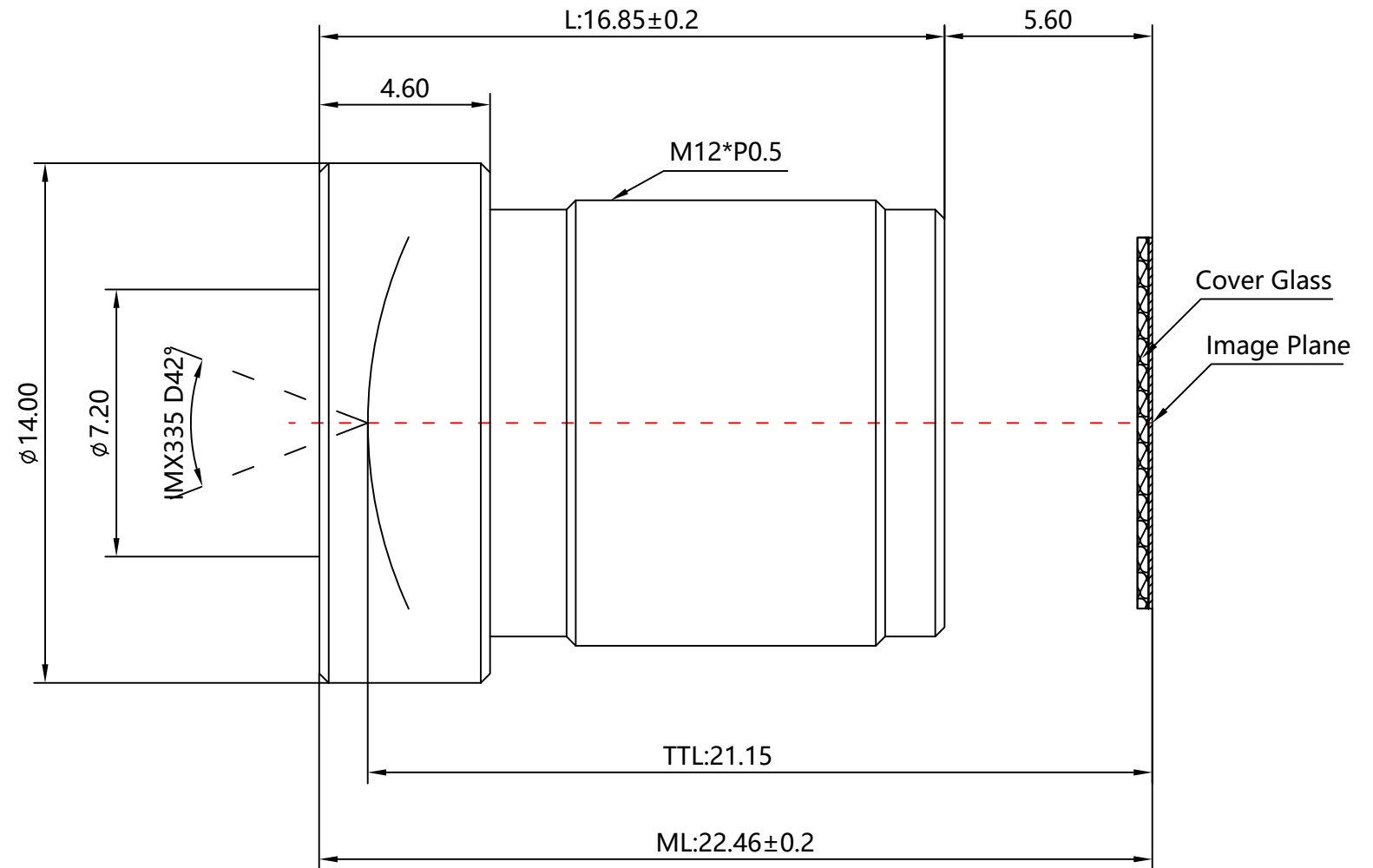
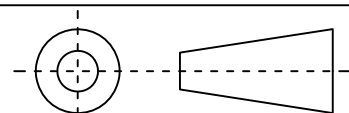


1	Type	Low Distortion Lens	
2	Resolution	8MP	
3	Image Format	1/2.7"	
4	Image Circle	φ6.8mm(MAX)	
5	EFL	8mm	
6	TTL	21.15mm	
7	F/NO.	6.0	
8	FFL (M)	5.60mm	
9	BFL (O)	6.86mm	
10	For Sensor	IMX335	OV2735
11	F.O.V	Horizontal	34°
12		Vertical	26°
13		Diagonal	42°
14	TV Distortion	<-1%	<-1%
15	Relative Ill.	>73%	>73%
16	Chief Ray Angle	<14.6°	<14.6°
17	M.O.D	0.1m~∞	
18	Mount Type	M12*P0.5	
19	Dimension Figure	φ14.0*L16.85mm	
20	Lens Structure	7G All Glass	
21	IR-Filter	T=50%&IR650±10nm	
22	Weight	6.5g	
23	Iris Operation	Fixed	
24	Zoom Operation	Fixed	
25	Focus Operation	Manual	
26	Operating Temperature	-20° ~+85°	
27	Storage Temperature	-20° ~+85°	



Scale	Remark	Tolerances	Date	Revised		福州创安光电科技有限公司 FUZHOU CHUANGAN OPTICS CO., LTD
4: 1	X	± 0.2	2019-07-15	CH2796BB Rev1.0		
	X.0	± 0.15				
Units	X.00	± 0.10	Design	Linda	2018-02-10	 3D Angle Projection
	X.000	± 0.001	Checked	Anna	2018-03-12	
mm	Angle	± 0.5°	Approval	Sanmu	2018-05-10	