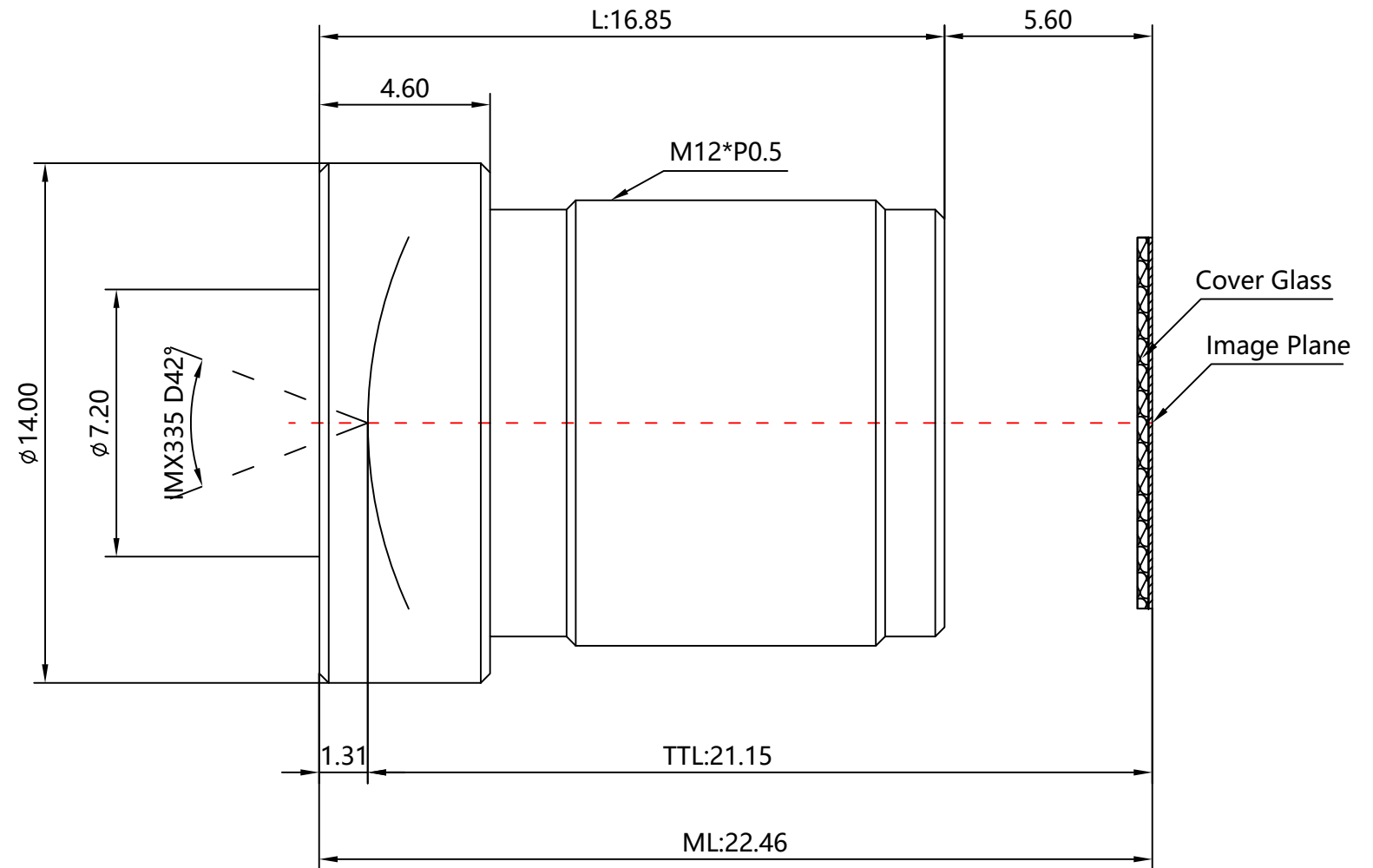


1	Type	Low Distortion Lens		
2	Resolution	8MP		
3	Image Format	1/2.7"		
4	Image Circle	φ6.8mm(MAX)		
5	EFL	8mm		
6	TTL	21.15mm		
7	F/NO.	2.8		
8	FFL (M)	5.60mm		
9	BFL (O)	6.86mm		
10	For Sensor	IMX335	OV2735	
11	F.O.V	Horizontal	34°	38°
12		Vertical	26°	22°
13		Diagonal	42°	43°
14	TV Distortion	<-1%	<-1%	
15	Relative Ill.	>73%	>73%	
16	Chief Ray Angle	<14.6°	<14.6°	
17	M.O.D	0.1m~∞		
18	Mount Type	M12*P0.5		
19	Dimension Figure	φ14.0*L16.85mm		
20	Lens Structure	7G All Glass		
21	IR-Filter	Non-IR		
22	Weight	6.5g		
23	Iris Operation	Fixed		
24	Zoom Operation	Fixed		
25	Focus Operation	Manual		
26	Operating Temperature	-20° ~+85°		
27	Storage Temperature	-20° ~+85°		



Scale	Remark	Tolerances	Date	Revised		福州创安光电科技有限公司 FUZHOU CHUANGAN OPTICS CO., LTD
4: 1	X	± 0.2	2019-09-10	CH2796A Rev1.1		
	X.0	± 0.15				
Units	X.00	± 0.10	Design	Linda	2018-02-10	
	X.000	± 0.001	Checked	Anna	2018-03-12	
mm	Angle	± 0.5°	Approval	Sanmu	2018-05-10	

