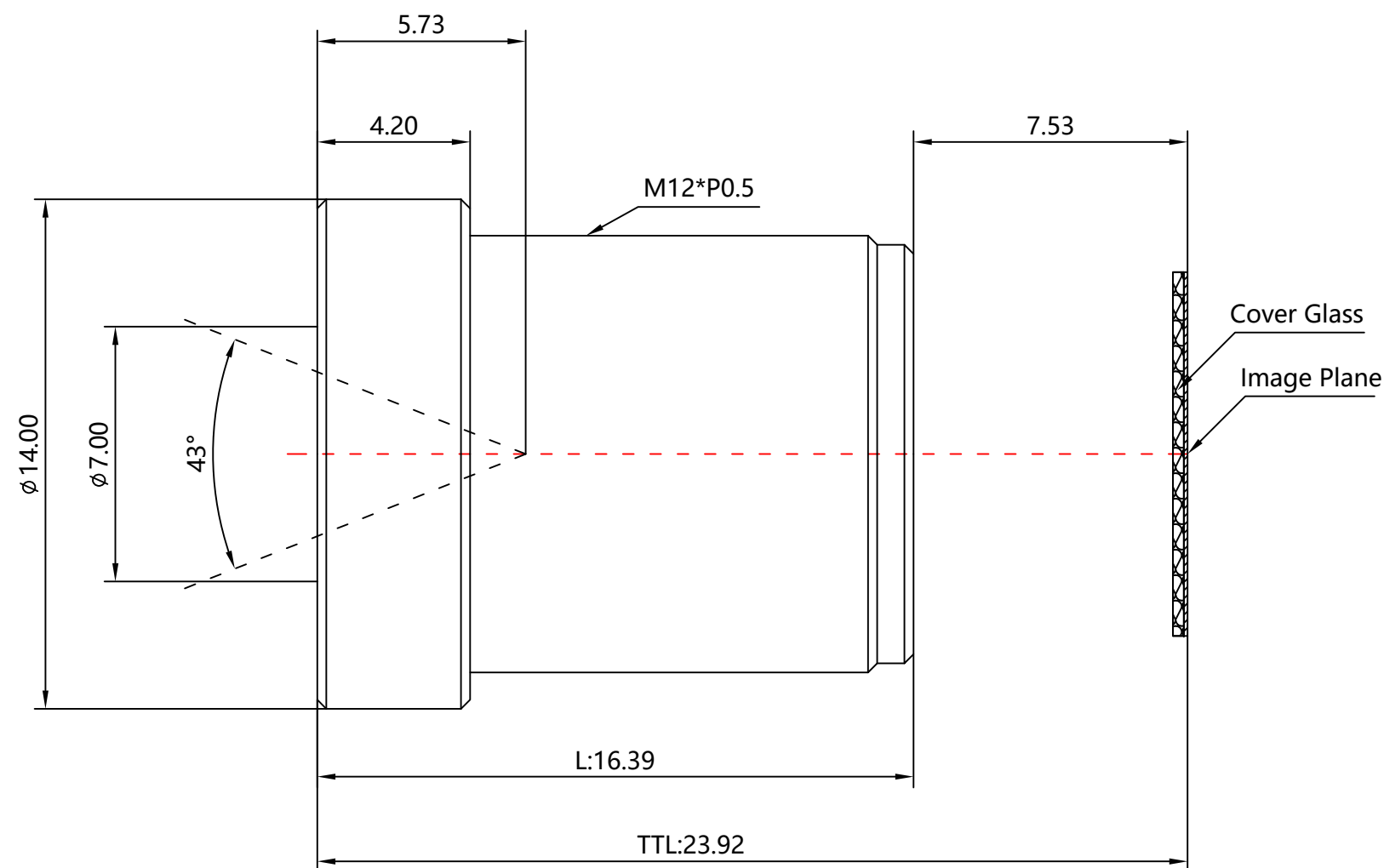
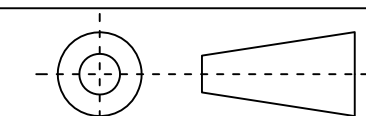


1	Type	Auto Driving Lens	
2	Resolution	MP	
3	Image Format	1/4"	
4	Image Circle	φ4.6mm(MAX)	
5	EFL	6.25mm	
6	TTL	23.92mm	
7	F/NO.	1.8	
8	FFL (M)	7.53mm	
9	BFL (O)	8.87mm	
10	For Sensor	1/4"	
11	F.O.V	Horizontal	38°
12		Vertical	22°
13		Diagonal	43°
14	TV Distortion	<-3%	
15	Relative Ill.	>65%	
16	Chief Ray Angle	<13°	
17	M.O.D	0.1m~∞	
18	Mount Type	M12*P0.5	
19	Dimension Figure	φ14.00*L16.39mm	
20	Lens Structure	6G	
21	IR-Filter	Non-IR	
22	Weight	5.9g	
23	Iris Operation	Fixed	
24	Zoom Operation	Fixed	
25	Focus Operation	Manual	
26	Operating Temperature	-20° ~+85°	
27	Storage Temperature	-20° ~+85°	



Scale	Remark	Tolerances	Date	Revised		福州创安光电科技有限公司 FUZHOU CHUANGAN OPTICS CO., LTD
4:1	X	± 0.2	2022-03-25	CH2795A Rev1.1		
	X.0	± 0.15				
Units	X.00	± 0.10	Design	Linda	2016-11-28	
	X.000	± 0.001	Checked	Anna	2016-01-01	
mm	Angle	± 0.5°	Approval	Sanmu	2016-01-10	


**3D Angle Projection**