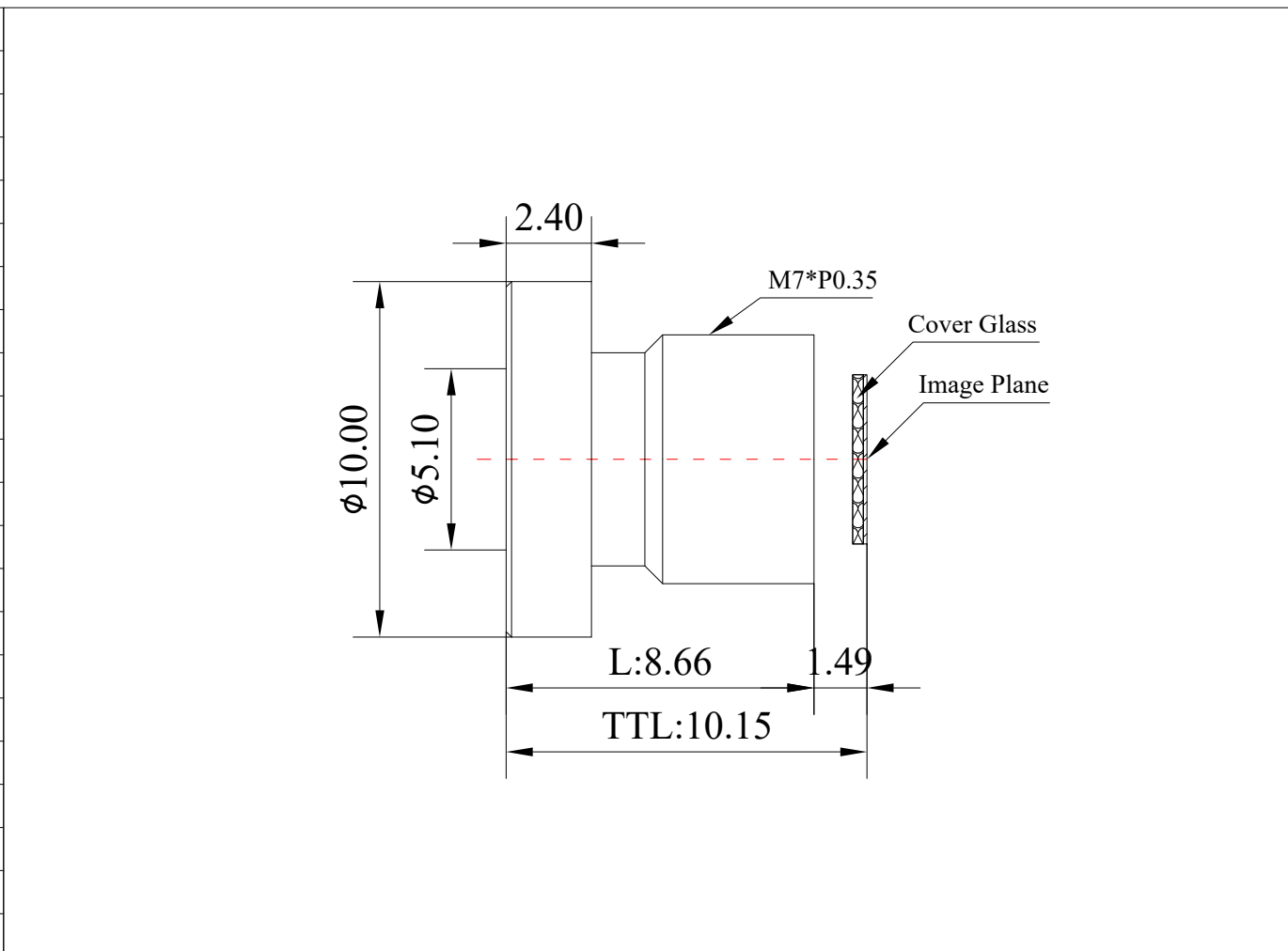
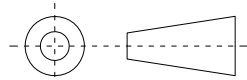


1	Type	AR&VR Lens	
2	Resolution	MP	
3	Image Format	1/4"	
4	Image Circle	φ4.6mm(MAX)	
5	EFL	2.26mm	
6	TTL	10.15mm	
7	F/NO.	2.2	
8	FFL (M)	1.49mm	
9	BFL (O)	2.87mm	
10	For Sensor	1/4"	
11	F.O.V	Horizontal	95°
12		Vertical	60°
13		Diagonal	125°
14	TV Distortion	<-13%	
15	Relative Ill.	>46%	
16	Chief Ray Angle	<24°	
17	M.O.D	0.1m~∞	
18	Mount Type	M7*P0.35	
19	Dimension Figure	φ10.0*L8.66mm	
20	Lens Structure	3G2P	
21	IR-Filter	T=50%&IR650±10nm	
22	Waterproof	No	
23	Weight	3.5g	
24	Iris Operation	Fixed	
25	Zoom Operation	Fixed	
26	Focus Operation	Manual	
27	Operating Temperature	-20° ~ +85°	
28	Storage Temperature	-20° ~ +85°	



Scale	Remark	Tolerances	Date	Revised		福州创安光电科技有限公司 FUZHOU CHUANGAN OPTICS CO., LTD
5:1	X	±0.2	2019-12-17	CH2506A Rev1.0		
Units	X.00	±0.10	Design	Linda	2015-05-16	 3D Angle Projection
	X.000	±0.001	Checked	Anna	2015-07-06	
mm	Angle	±0.5°	Approval	Sanmu	2015-08-12	