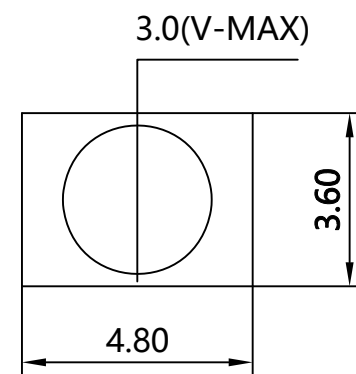
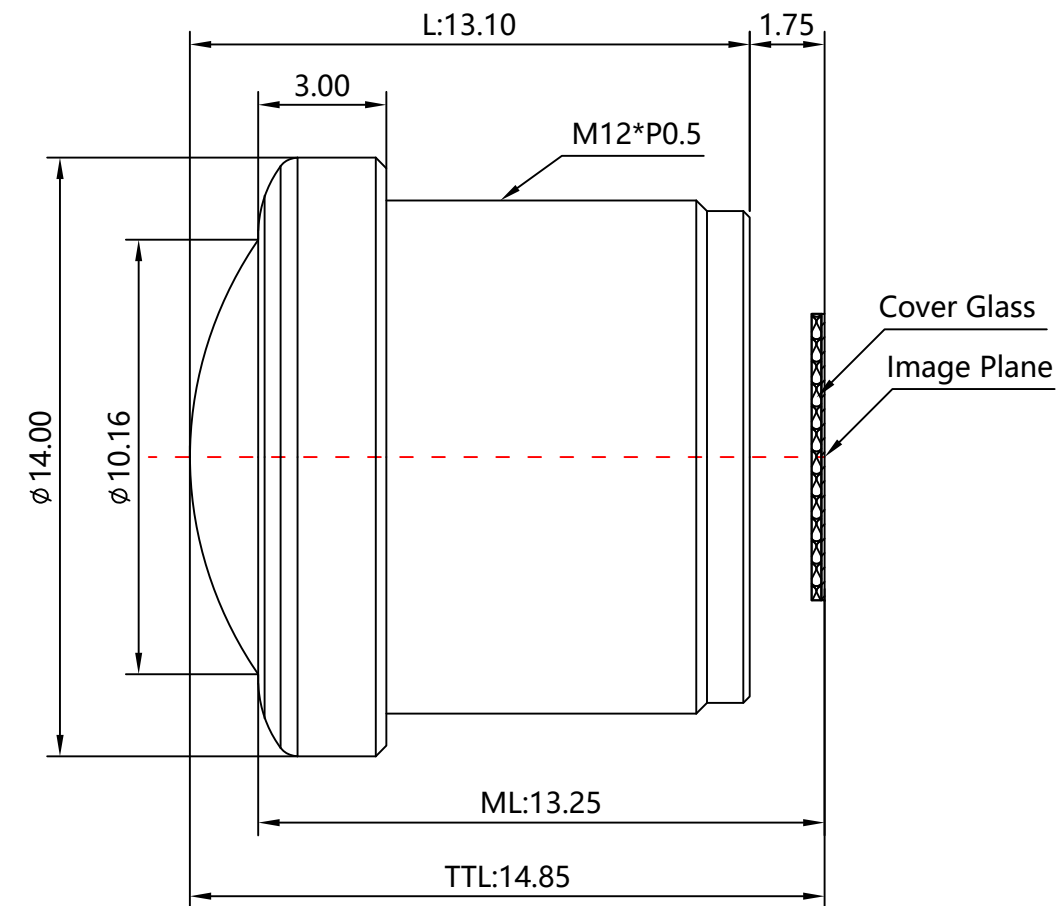


1	Type	Fisheye Lens			
2	Resolution	5MP			
3	Image Format	1/3"			
4	Image Circle	φ3.0mm(V-MAX)			
5	EFL	0.98mm			
6	TTL	14.85mm			
7	F/NO.	2.8			
8	FFL (M)	1.75mm			
9	BFL (O)	3.05mm			
10	For Sensor	φ3.0	φ2.96	φ2.8	
11	F.O.V	Horizontal	210°	200°	184°
12		Vertical	210°	200°	184°
13		Diagonal	210°	200°	184°
14	TV Distortion	<-81%			
15	Relative Ill.	>98%			
16	Chief Ray Angle	<13.4°			
17	M.O.D	0.1m~∞			
18	Mount Type	M12*P0.5			
19	Dimension Figure	φ14.00*L13.10mm			
20	Lens Structure	6G			
21	IR-Filter	Non-IR			
22	Weight	4.4g			
23	Iris Operation	Fixed			
24	Zoom Operation	Fixed			
25	Focus Operation	Manual			
26	Operating Temperature	-20° ~+85°			
27	Storage Temperature	-20° ~+85°			



Remark: IP67



Scale	Remark	Tolerances	Date	Revised		福州创安光电科技有限公司 FUZHOU CHUANGAN OPTICS CO., LTD
4:1	X	± 0.2	2019-07-19	CH2503C Rev1.0		
	X.0	± 0.15				
Units	X.00	± 0.10	Design	Linda	2015-02-13	
	X.000	± 0.001	Checked	Anna	2015-02-15	
mm	Angle	± 0.5°	Approval	Sanmu	2015-04-14	

