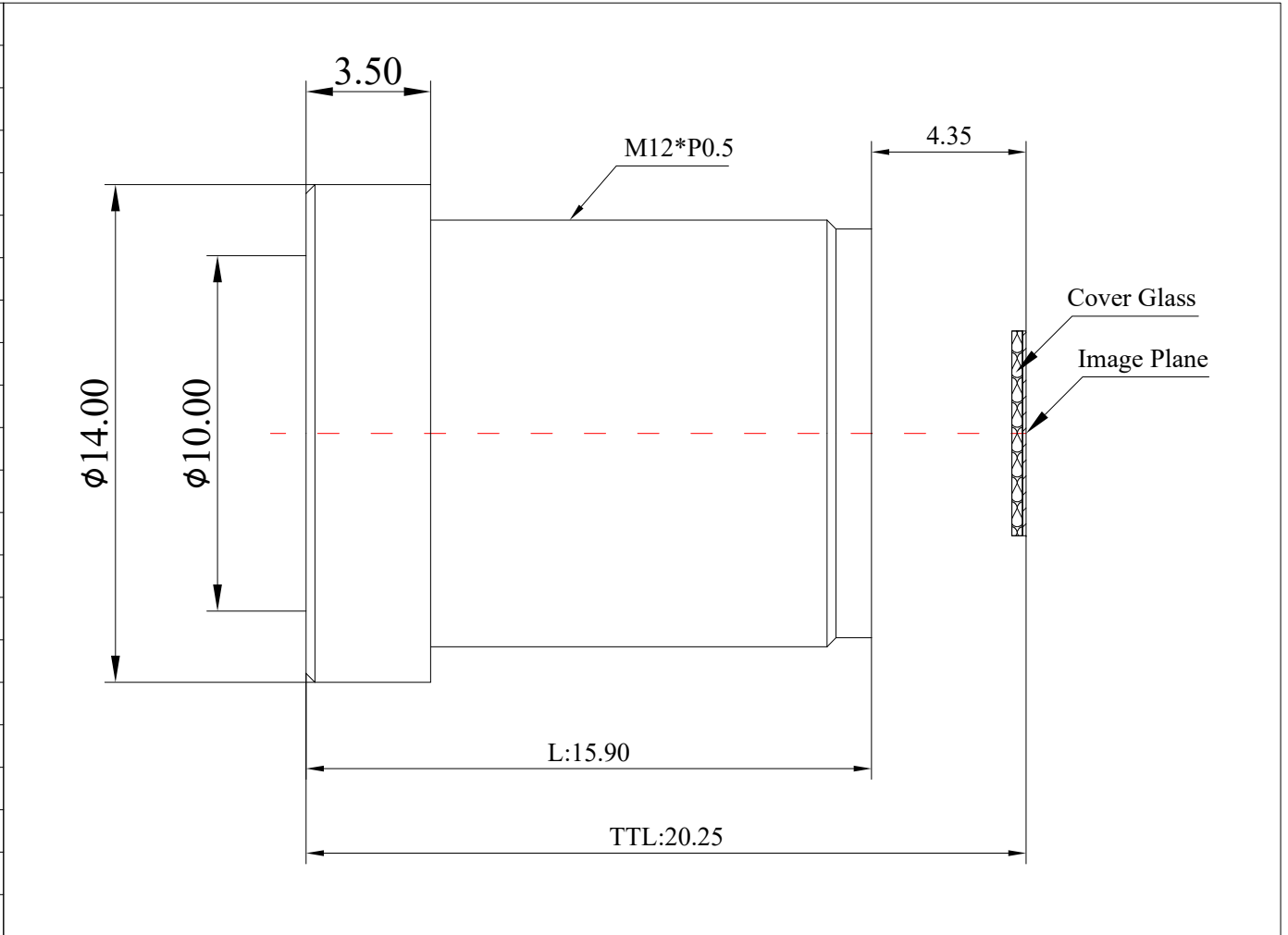
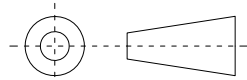


1	Type	Wide Angle Lens	
2	Resolution	MP	
3	Image Format	1/4"	
4	Image Circle	φ4.8mm(MAX)	
5	EFL	2.55mm	
6	TTL	20.25mm	
7	F/NO.	2.0	
8	FFL (M)	4.35mm	
9	BFL (O)	4.65mm	
10	For Sensor	1/4"	
11	F.O.V	Horizontal	95.58°
12		Vertical	73.8°
13		Diagonal	123°
14	TV Distortion	<-15.33%	
15	Relative Ill.	>70%	
16	Chief Ray Angle	<10.6°	
17	M.O.D	0.1m~∞	
18	Mount Type	M12*P0.5	
19	Dimension Figure	φ14.0*L15.90mm	
20	Lens Structure	4G	
21	IR-Filter	Non-IR	
22	Waterproof	No	
23	Weight	4.3g	
24	Iris Operation	Fixed	
25	Zoom Operation	Fixed	
26	Focus Operation	Manual	
27	Operating Temperature	-20° ~+85°	
28	Storage Temperature	-20° ~+85°	



Scale	Remark	Tolerances	Date	Revised	
4:1	X	±0.2	2020-08-06	CH237F Rev1.0	
	X.0	±0.15			
Units	X.00	±0.10	Design	Linda	2018-08-30
	X.000	±0.001	Checked	Anna	2018-10-30
mm	Angle	±0.5°	Approval	Sanmu	2018-11-01

福州创安光电科技有限公司
FUZHOU CHUANGAN OPTICS CO., LTD



3D Angle Projection